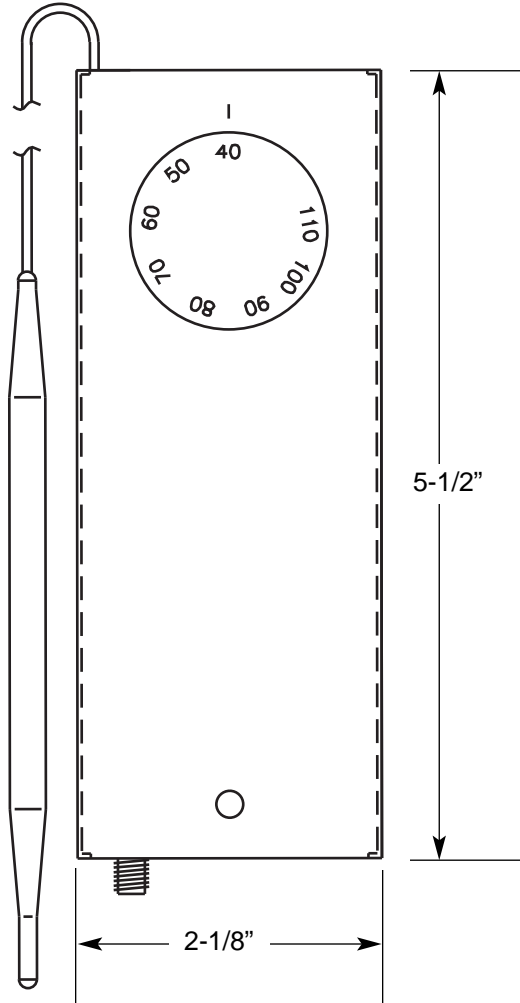


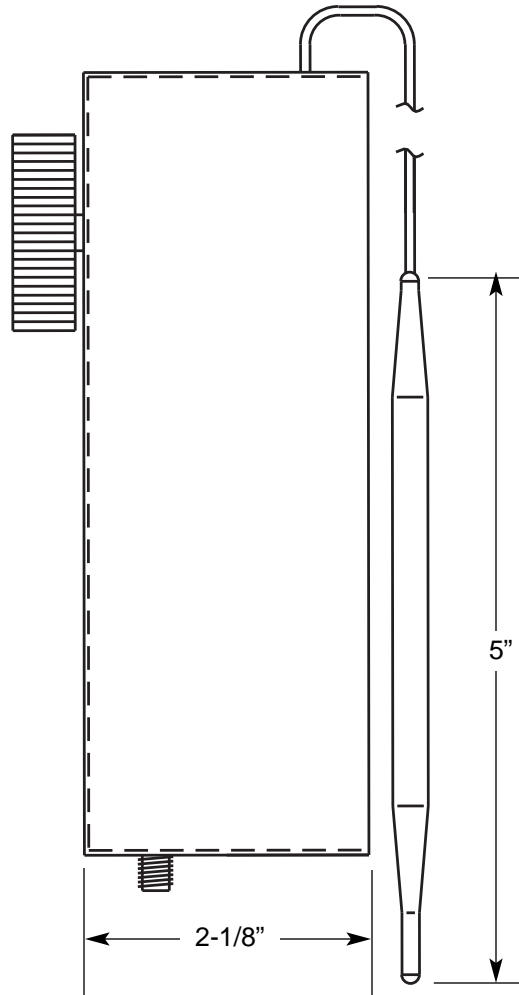
**IP [English] Dimensions**  
**SI (Metric) In Parentheses**

Air Specialties Express, 448 S. Main St., P. O. Box 930040, Verona, WI 53593-0040 Phone: (877)945-9175 Fax: (608)845-6504 www.airspecialties.com

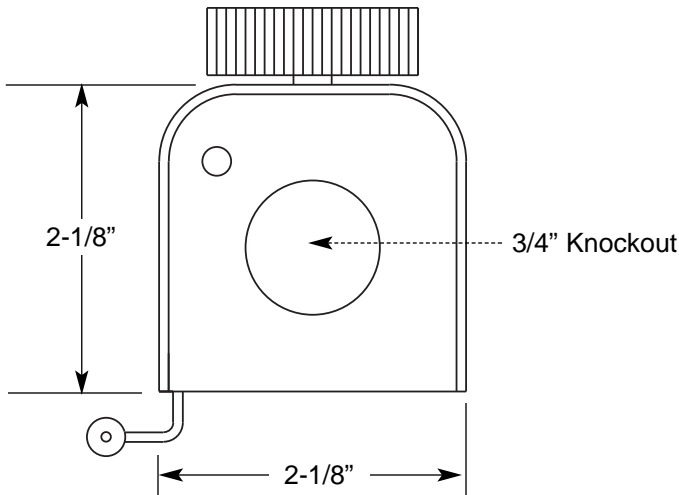
**FACE VIEW**



**SIDE VIEW**



\* Capillary Tube = 22"



**ELECTRICAL RATING**

**22 Amp - 125/277 VAC**  
**up to 3/4 HP @ 125 VAC**  
**up to 1-1/2 HP @ 250/277 VAC**