

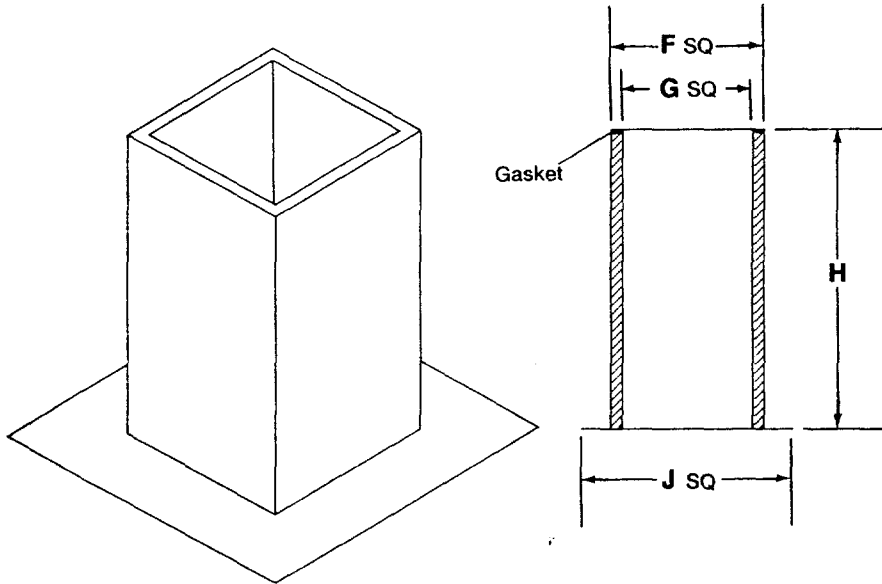
**STANDARD DIMENSIONS**  
(Metric on Reverse Size)

**EQUIPMENT SUBMITTAL**  
**SELF FLASHING ROOF CURB: MODEL JCHAG — GALVANIZED**  
**MODEL JCHAA — ALUMINUM**

PROJECT: \_\_\_\_\_ DATE: \_\_\_\_\_

CONTRACTOR: \_\_\_\_\_ ARCHITECT: \_\_\_\_\_

SUBMITTED BY: \_\_\_\_\_ ENGINEER: \_\_\_\_\_



**CONSTRUCTION**

- 18 ga. galvanized steel (Standard).
- 16 ga. (.050) aluminum (Optional).
- Continuously welded corners.
- Mitered and welded flanges — 3½" wide.
- Rubber or neoprene gasket.
- 1½" 3 lb./ft.<sup>3</sup> fiberglass insulation.

**NOTE:** OD equals fan cap minus 1/2".

**DIMENSIONS LISTED IN INCHES**

Exhauster Size	F SQ. Curb O. D.	G SQ. Curb I. D.	Max. Roof Opening	J SQ. Flange O. D.	H Height	NOTES
06	15	12	12	22		
08	15	12	12	22		
10	17	14	14	24		
12	17	14	14	24		
15	20	17	17	27		
18	24½	21½	21½	31½		
21	27½	24½	24½	34½		
24	30½	27½	27½	37½		
30	39½	36½	36½	46½		
36	45½	42½	42½	52½		
42	53½	50½	50½	60½		
48	57½	54½	54½	64½		
54	63½	60½	60½	70½		

**NOTES:**