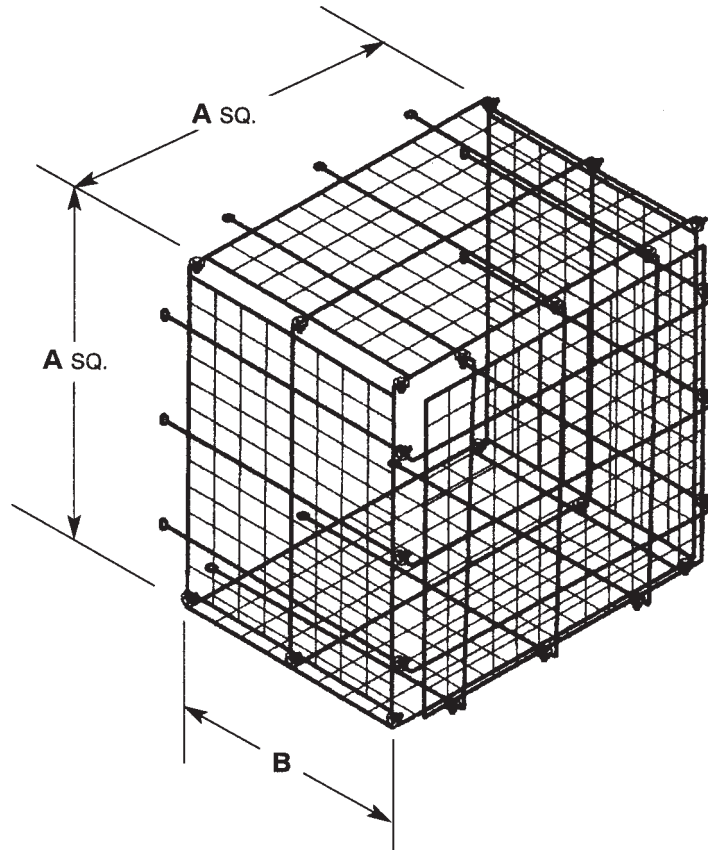


Imperial [IP] Dimensions
Metric (SI) in Parentheses

Motorsize Basket Guard for use with Mounting Collar

CARNES COMPANY 448 S. Main St., P. O. Box 930040, Verona, WI 53593-0040 Phone: (608)845-6411 Fax: (608)845-6504 www.carnes.com



LOUVER EXTENSION:

FINISHES:

Gray Electrocoat as standard.

OPTIONAL FINISHES:

Air Dry Enamel to match.

Acid Resistant coating (ARC, Epoxy).

Air Dry Heresite.

Unit	DIMENSIONS and WEIGHT										
	10	12	16	18	20	24	30	36	42	48	54
"A" Sq.	16-1/4" (413)	16-1/4" (413)	20-1/2" (521)	24-1/4" (616)	24-1/4" (616)	30-1/4" (921)	36-1/4" (921)	42-1/4" (1073)	48-1/4" (1226)	54-1/4" (1378)	NA
"B"	20" (508)	20" (508)	20" (508)	22" (559)	22" (559)	21-1/2" (548)	24-1/2" (625)	26-1/4" (625)	26-1/4" (625)	26-1/4" (625)	NA
Gauge	1.135 & .188 Wire	1.135 & .188 Wire	1.135 & .188 Wire	1.135 & .188 Wire	1.135 & .188 Wire	1.135 & .188 Wire	1.135 & .188 Wire	1.135 & .188 Wire	1.135 & .188 Wire	1.135 & .188 Wire	NA
Wgt. lbs. (Kg.)	8 (4)	8 (4)	10 (5)	12 (6)	12 (6)	16 (7.3)	20 (9.1)	32 (14.5)	36 (16.3)	42 (19.1)	NA

NOTE: Sizes 36 thru 48 features two piece back panel.