

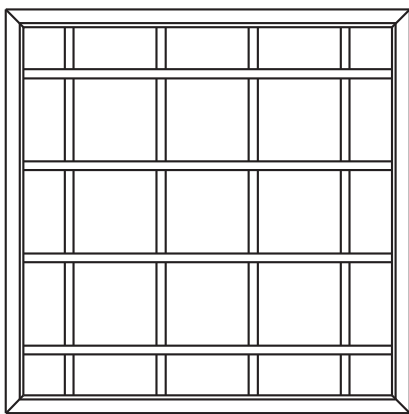


Application

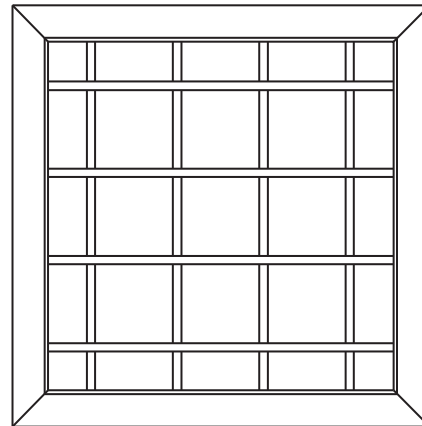
RSPA16 Barrier Bars mount inside openings to larger areas. A common application is to secure openings in roof curbs.

Standard Features

- Bars are 1/2" diameter hot-rolled steel.
- Bars are placed on 6" centers, both horizontally and vertically, with the result that the largest opening measures 5-1/2" x 5-1/2".
- Bars are welded at all contact points.
- Frame is 2-1/2" x 2-1/2" x 3/16" hot-rolled steel angle.
- Standard finish is electrocoat acrylic baked enamel.
- Standard color is #11 bright white.



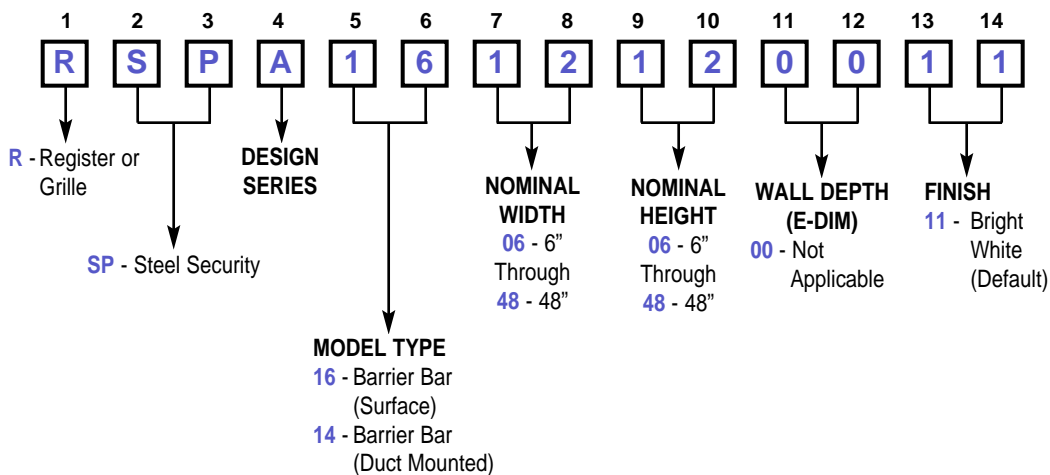
RSPA14

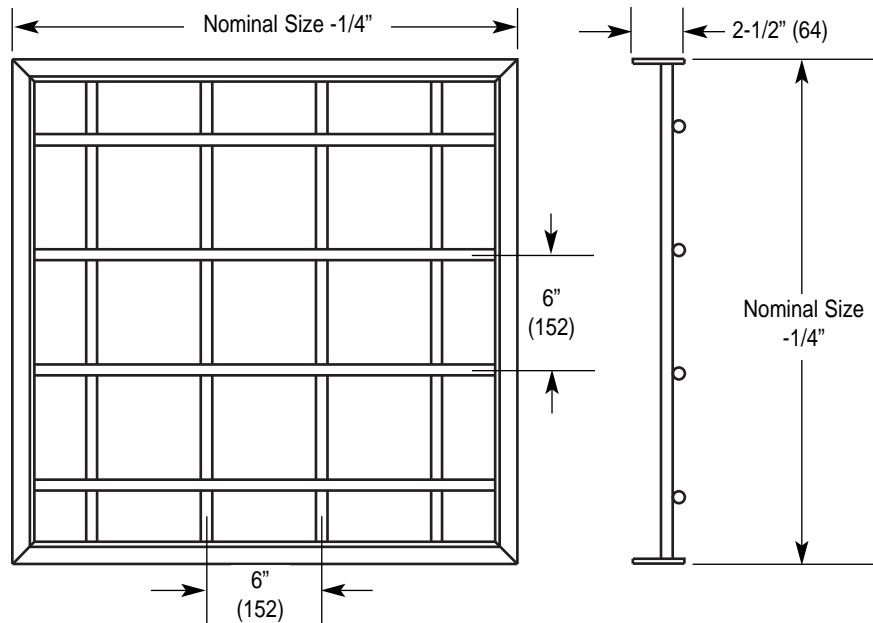


RSPA16

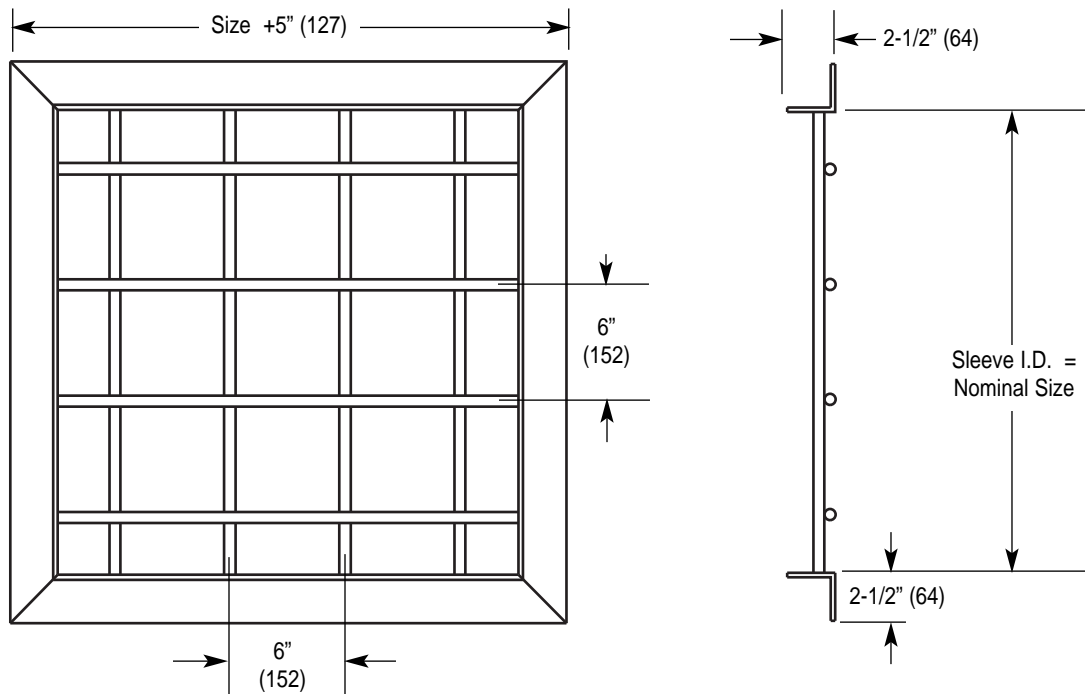


Model Numbering System





RSPA14



RSPA16

Construction Notes:

1. Model 14 Frame is 3/16" thick for duct mounting.
2. Model 16 Frame is constructed of 2-1/2" x 2-1/2" x 1/4" (64 x 64 x 6) hot rolled steel.
3. Vertical Bars are constructed of 1/2" (13) diameter hot rolled steel, placed on 6" (152) centers.
4. Horizontal Bars are 1/2" (13) diameter hot rolled steel, placed on 6" (152) centers.
5. Bars are welded at all contact points, around the perimeter and to each other.

Other Notes:

1. Metric dimensions are given in millimeters.
2. Unit can be field welded into place.
3. Recommended wall opening is nominal size plus 3/4" (19).

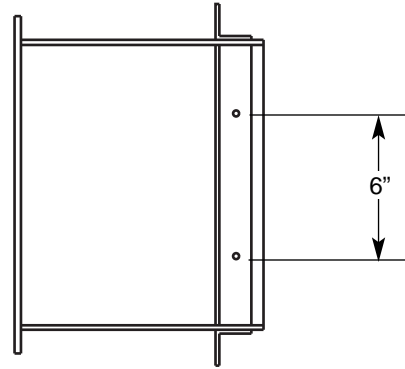
Option “H” - Mounting Angles for Field Bolting onto Wall R&G

Application

The RSPA 51 group is used in security applications where there is a concern that the occupant may attempt suicide. The 3/16” perforated hole pattern is designed to deter passage of any string through the face and back. This hole pattern also prevents any chance to hide contraband. This is not a substitute for proper security practices. Because of the perforated hole pattern, the opposed blade damper needs to be accessed from the back side.

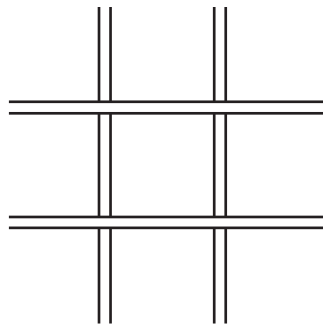
Features

- Mounting angles are provided with holes punched on 6” centers.
- There are a minimum of 2 holes per mounting angle.
- The bolts provided are #1/4-20 x 1” snake-eyes head.
- The nuts provided are 1/4-20 self-locking hex nuts.

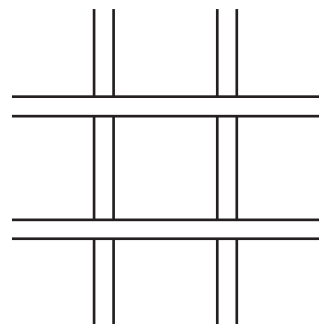


Barrier Bar Options

Option B - 1/2” round bar on 6” centers.



Option C - 3/4” round bar on 6” centers.



Option D - 3/4” round bar vertical on 6” centers through horizontal bars (3/8” x 2-1/2”) on 12” centers. All intersections are welded.

