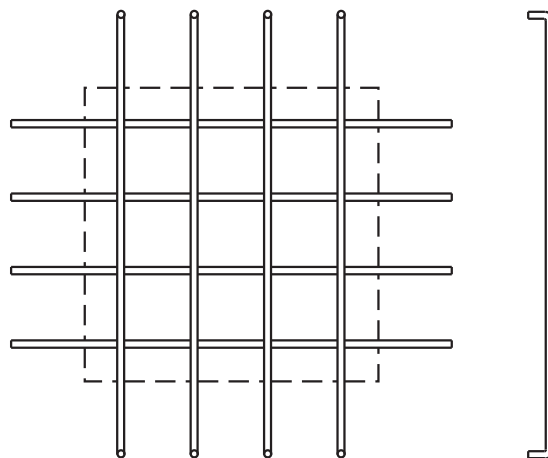
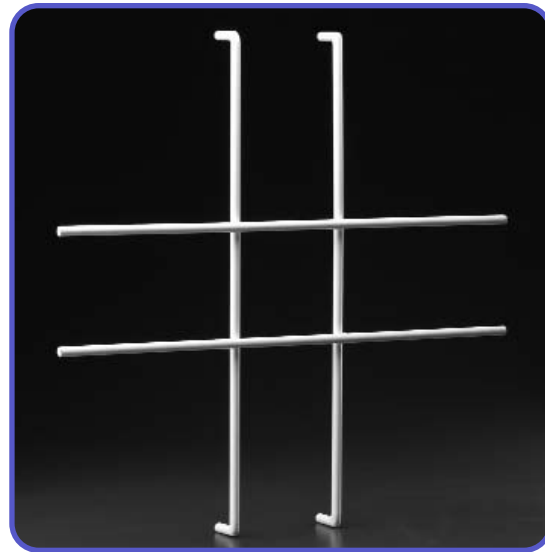


**Application**

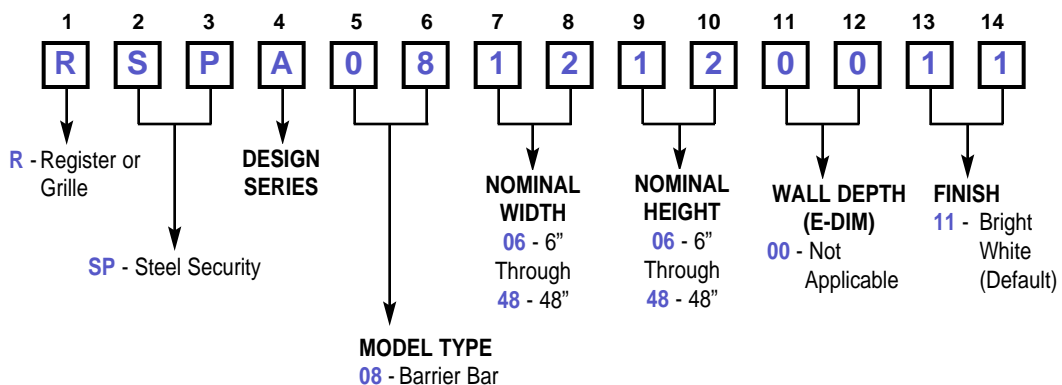
RSPA08 Barrier Bar is used when the bars are to extend well into the concrete wall, making it integral to the wall. It is provided without a sleeve, and must be installed when the concrete wall is poured.

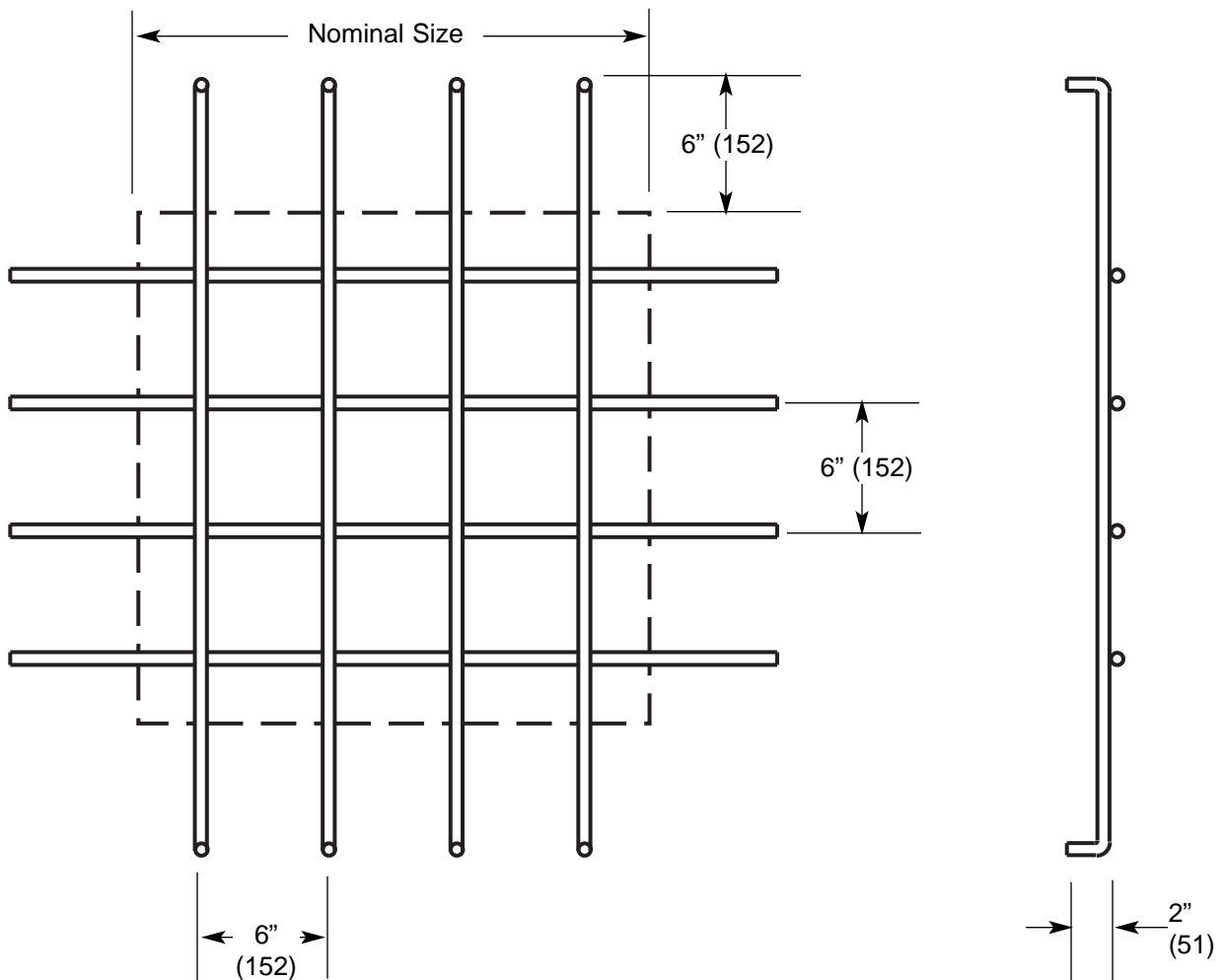
**Standard Features**

- Bars are 1/2" diameter hot-rolled steel.
- Bars are placed on 6" centers, both horizontally and vertically, with the result that the largest opening measures 5-1/2" x 5-1/2".
- Bars are welded at all contact points.
- Bars are sized to extend 6" into the concrete in all four directions.
- Standard finish is electrocoat acrylic baked enamel.
- Standard color is #11 bright white.



**Model Numbering System**





**Construction Notes:**

1. Vertical Bars are 1/2" (13) diameter hot rolled steel, placed on 6" (152) centers.
2. Horizontal Bars are 1/2" (13) diameter hot rolled steel, placed on 6" (152) centers.
3. Bars are welded at all contact points.
4. Finish is electrocoat acrylic baked enamel.
5. Standard color is #11 Bright White.

**Other Notes:**

1. Metric dimensions are given in millimeters.
2. This is designed to be cast in place in concrete wall.

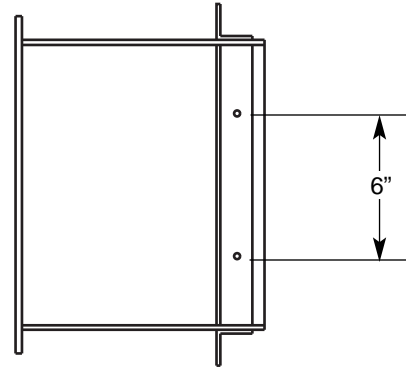
**Option “H” - Mounting Angles for Field Bolting onto Wall R&G**

**Application**

The RSPA 51 group is used in security applications where there is a concern that the occupant may attempt suicide. The 3/16” perforated hole pattern is designed to deter passage of any string through the face and back. This hole pattern also prevents any chance to hide contraband. This is not a substitute for proper security practices. Because of the perforated hole pattern, the opposed blade damper needs to be accessed from the back side.

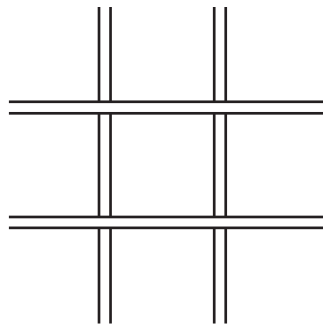
**Features**

- Mounting angles are provided with holes punched on 6” centers.
- There are a minimum of 2 holes per mounting angle.
- The bolts provided are #1/4-20 x 1” snake-eyes head.
- The nuts provided are 1/4-20 self-locking hex nuts.

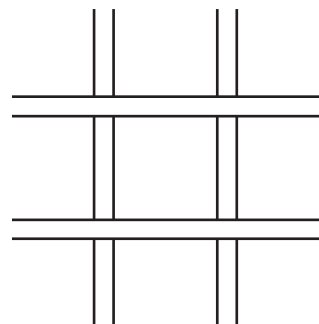


**Barrier Bar Options**

**Option B** - 1/2” round bar on 6” centers.



**Option C** - 3/4” round bar on 6” centers.



**Option D** - 3/4” round bar vertical on 6” centers through horizontal bars (3/8” x 2-1/2”) on 12” centers. All intersections are welded.

