

Remote Activated Diffuser

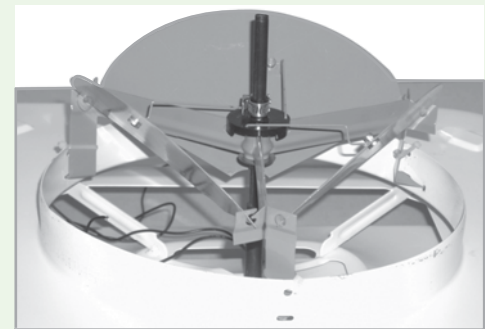
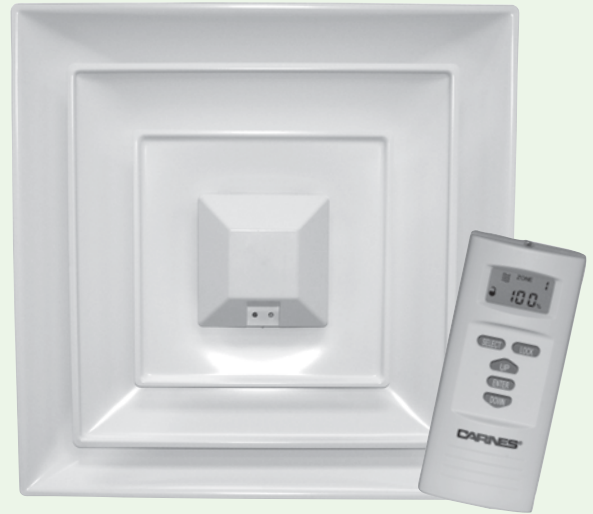
(SRAD)

The ASX R.A.D. (SRAD) is a stamped diffuser with a remote controlled opposed blade damper that allows you to regulate air flow easily and economically. This feature allows you to control specific areas within a larger space to create a more comfortable environment. The R.A.D. offers a diverse range of operating options; it can be preset to operate via thermostat control (either individually or in series), or adjusted, manually via the remote control (either individually or in series).

The SRAD is specifically designed to create comfort zones in larger, controlled spaces. The use of the wireless remote can limit control to one person or can allow anyone access. The handheld remote can be used as such, or wall mounted with an attached bracket to essentially create a wall mounted thermostat.

Here are just a few features of the R.A.D.:

- Wireless Remote Control - Eliminates any need for wiring to thermostat. The remote can also be wall mounted.
- Remote can control up to 32 zones (you determine the zone) with several units available per zone.
- Diffusers can be controlled either thermostatically or manually by remote control.
- Easy and economical installation. Diffuser needs to be wired to a 24 volt step down transformer.
- Remote operates via radio frequency versus infrared. This makes the ASX control much more consistent, more powerful and eliminates any line of sight obstructions.
- The R.A.D. is FCC approved.



The R.A.D. Remote Activated Diffuser (SRAD)

Application

Lay in diffuser with remote control or thermostat control for specific areas within a larger space. Remote can control diffusers either individually or in a group, dictating who can control airflow.

Standard Features

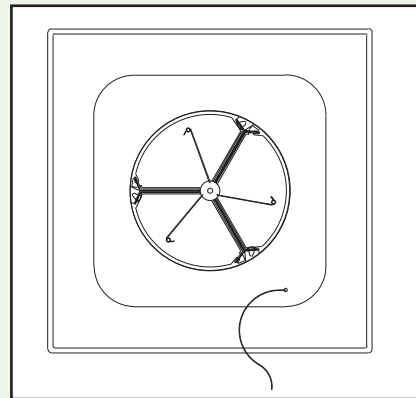
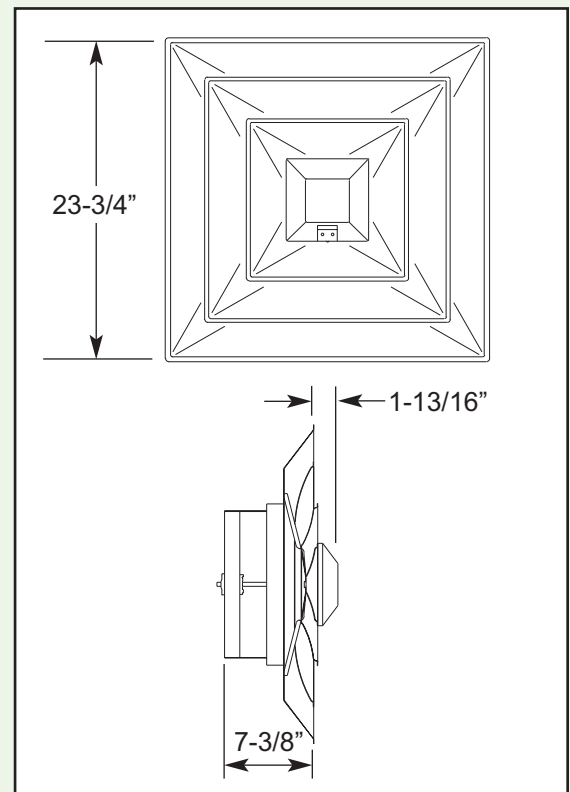
- Stamped steel construction
- 24 x 24 lay in diffuser
- 6", 7", 8", 10", 12", 14", 16" inlet sizes available
- Remote can be hand held or wall mounted
- Remote uses radio frequencies (FCC approved), not infra-red frequencies. This allows for longer distance, more consistent control and is not affected by line of sight obstructions.
- Remote can handle up to 32 zones, with several units per zone.
- Total versatility in controlling settings. Diffusers can be controlled the following ways:
 - Separate remote for each diffuser
 - One remote to control all diffusers in one adjustment
 - One remote to control diffusers individually
- Uses 24 volt AC from step down transformer. Optional 120/240 volt or 277 volt step down transformer is available. One transformer can handle up to six diffusers.
- In the event of a power outage, the programming chips will retain all data.
- Standard finish is electrocoat acrylic baked enamel. Standard color is #11 ASX bright white.

Optional Features

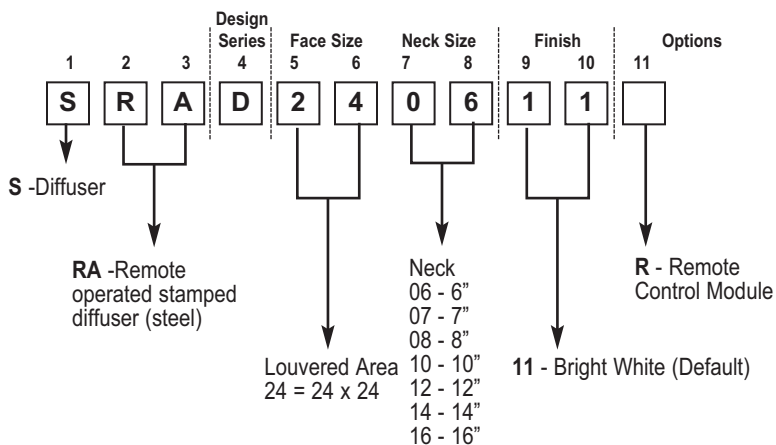
- Step down transformers
- Extra remote controls

Accessories

- For surface mount applications, use the KXFAA or KXFAS auxiliary frame (page C-252).



Model Numbering System

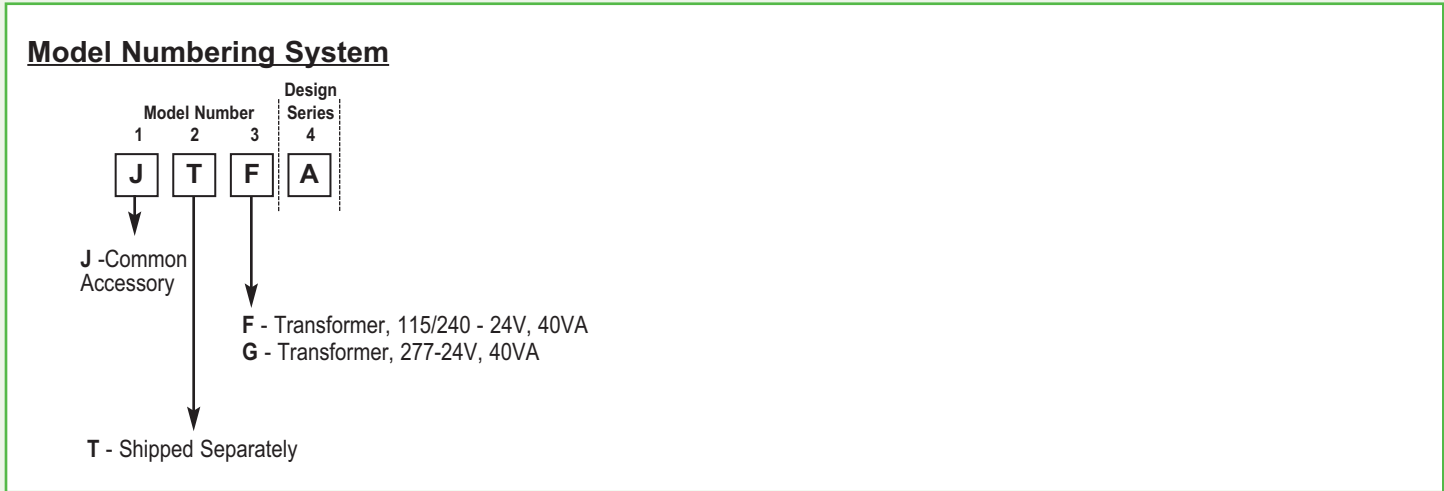


ACCESSORIES

Remote Control



Transformer



NOTES: