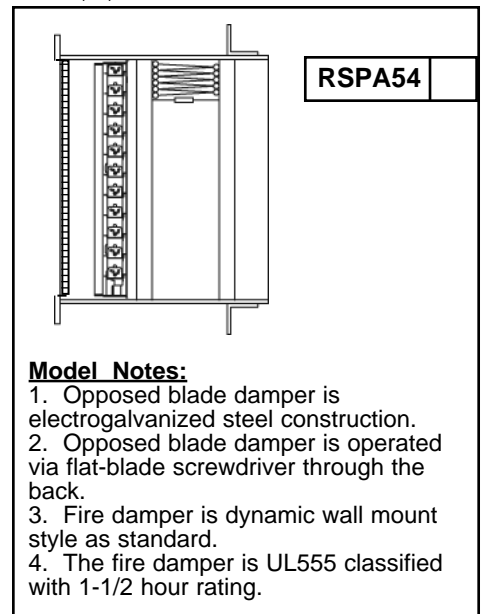
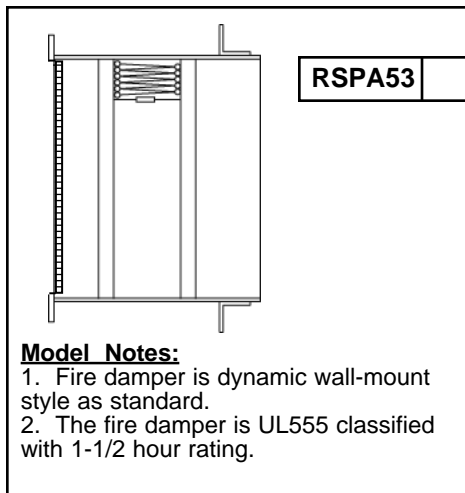
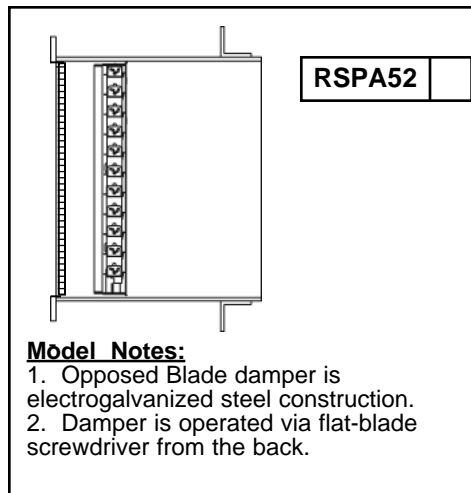
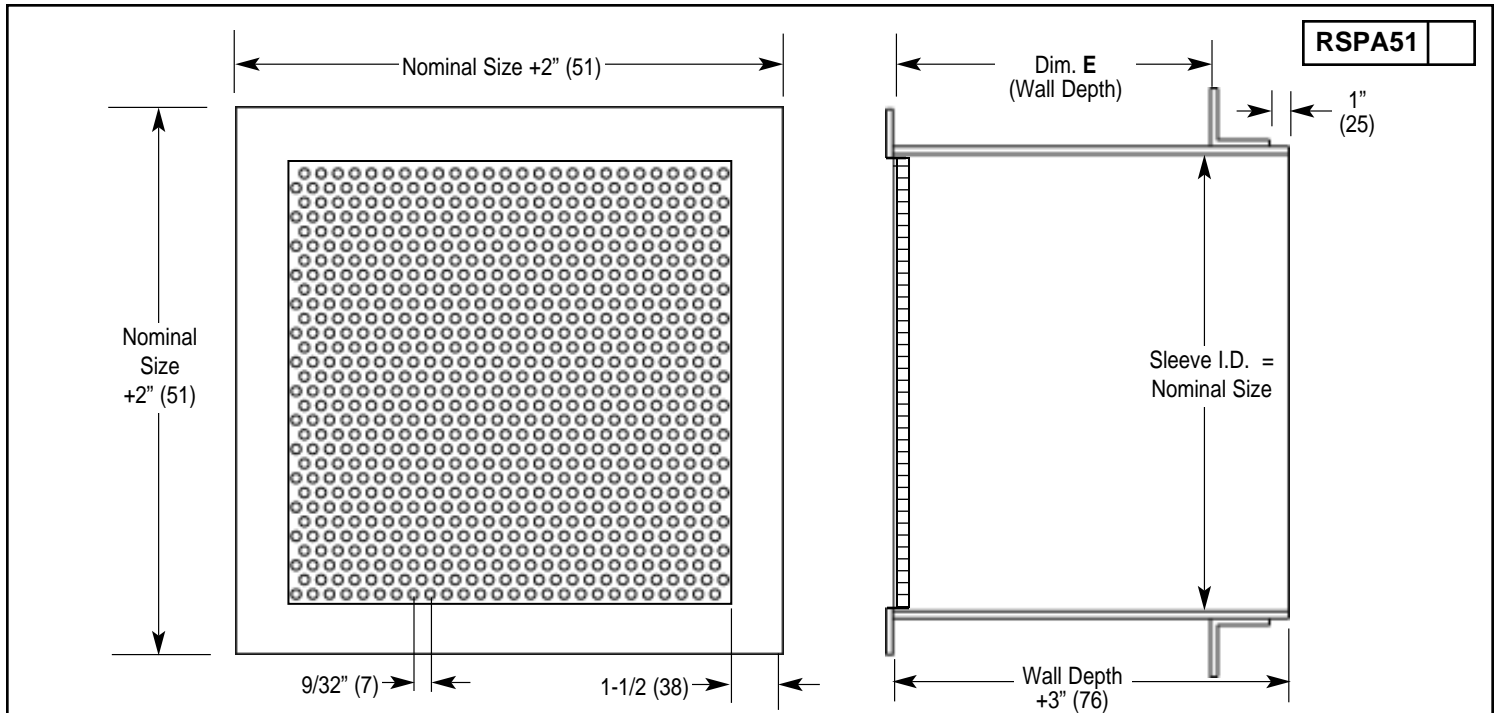


Imperial [IP] Dimensions
Metric (SI) in Parentheses

Air Specialties Express, 448 S. Main St., P. O. Box 930040, Verona, WI 53593-0040 Phone: (877)945-9175 Fax: (608)845-6504 www.airspecialties.com



Overall Notes:

1. Metric dimensions are given in millimeters.
2. Standard finish is electrocoat acrylic baked enamel.
3. Standard color is #11 Bright White.
4. Recommended Minimum Wall Opening size is Listed Size Plus 3/4" (19).
5. Size 12" x 12" (305 x 305) with an 8" (203) wall depth, is shown above.

Construction Notes:

1. Sleeve and Face Frame are 3/16" (5) hot rolled steel. Perforated face has 3/16" (5) diameter holes on staggered 9/32" (7) centers.
2. Wall Angles are 2" x 2" x 3/16" (51 x 51 x 5) hot rolled steel. They are shipped in 4 pieces for field welding.

DISCLAIMER: ASX Suicide Deterrent Grilles are designed to reduce the potential risk of suicide attempts and are designed to allow air flow through them to provide adequate ventilation to the space where used according to specifications. These products do not guarantee that they are suicide proof or that they cannot be used to inflict harm. ASX warrants only the construction and performance in accordance to the specific specifications of the units as listed in its appropriate specification sheet.