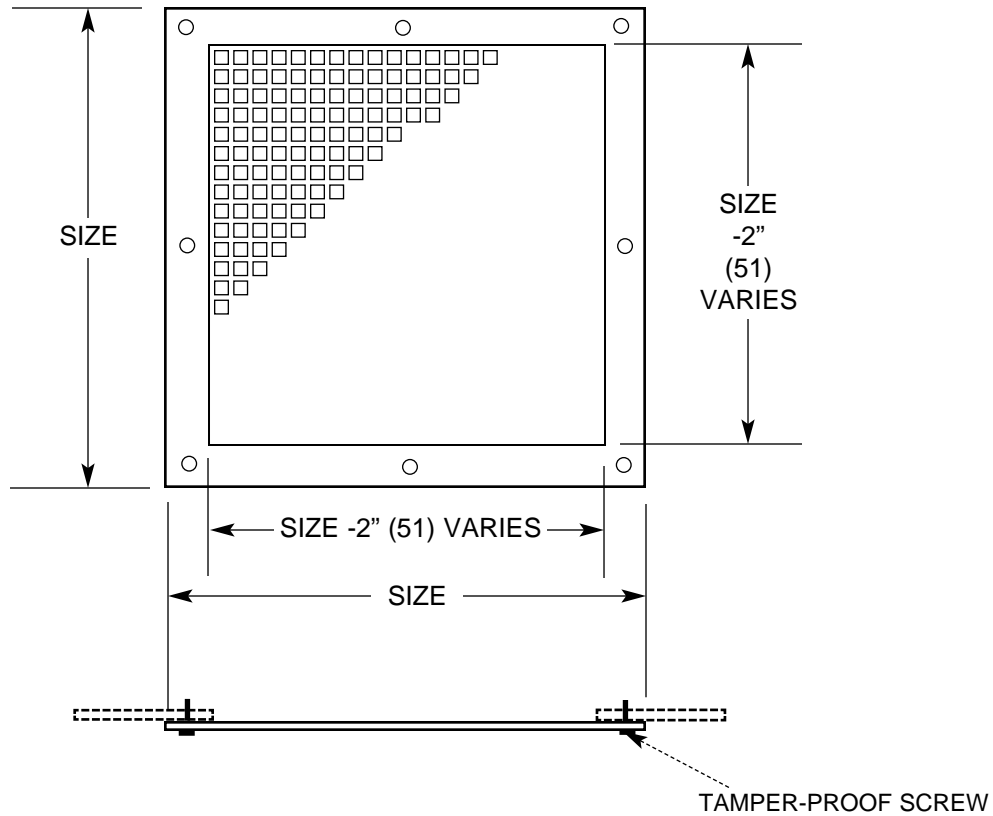


Imperial [IP] Dimensions  
Metric (SI) in Parentheses

Air Specialties Express, 448 S. Main St., P. O. Box 930040, Verona, WI 53593-0040 Phone: (877)945-9175 Fax: (608)845-6504 www.airspecialties.com

SECURITY PRODUCTS



**STANDARD:**

1. **Face Plate:** 12 gauge hot rolled steel. Hole 1/2" (13) square on 11/16" (18) centers.
2. **Tamper-Proof Screws:** #14 x 1-1/2" (38) spanner head sheet metal screw.
3. **Finish:** White Prime Coat.

**OPTIONS:**

1. Countersunk screws - tamper-proof.
2. Sheet metal type screws - tamper-proof.