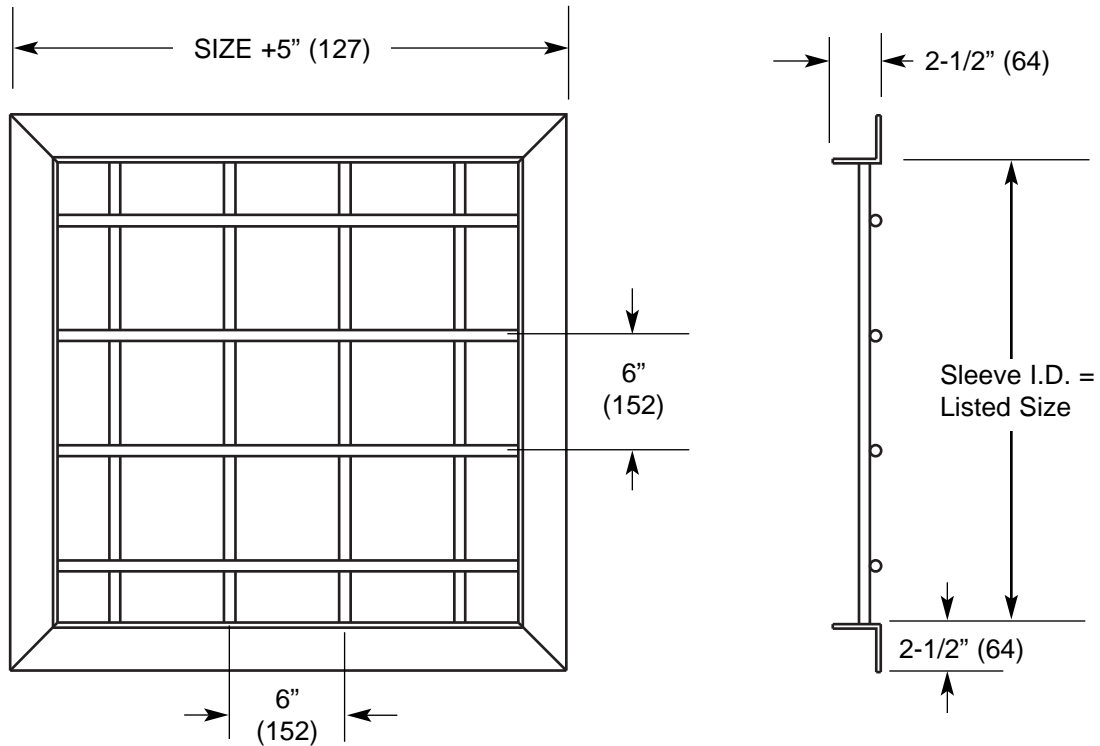


Imperial [IP] Dimensions  
Metric (SI) in Parentheses

Air Specialties Express, 448 S. Main St., P. O. Box 930040, Verona, WI 53593-0040 Phone: (877)945-9175 Fax: (608)845-6504 www.airspecialties.com



**Construction Notes:**

1. Frame is constructed of 2-1/2" x 2-1/2" x 1/4" (64 x 64 x 6) hot rolled steel.
2. Vertical Bars are constructed of 1/2" (13) diameter hot rolled steel.
3. Horizontal Bars are 1/2" (13) diameter hot rolled steel, placed on 6" (152) centers.
4. Bars are welded at all contact points, around the perimeter and to each other.
5. Finish is White Prime Coat.

**Other Notes:**

1. Metric dimensions are given in millimeters.
2. Unit can be field welded into place.
3. Recommended wall opening is nominal size plus 3/4" (19).