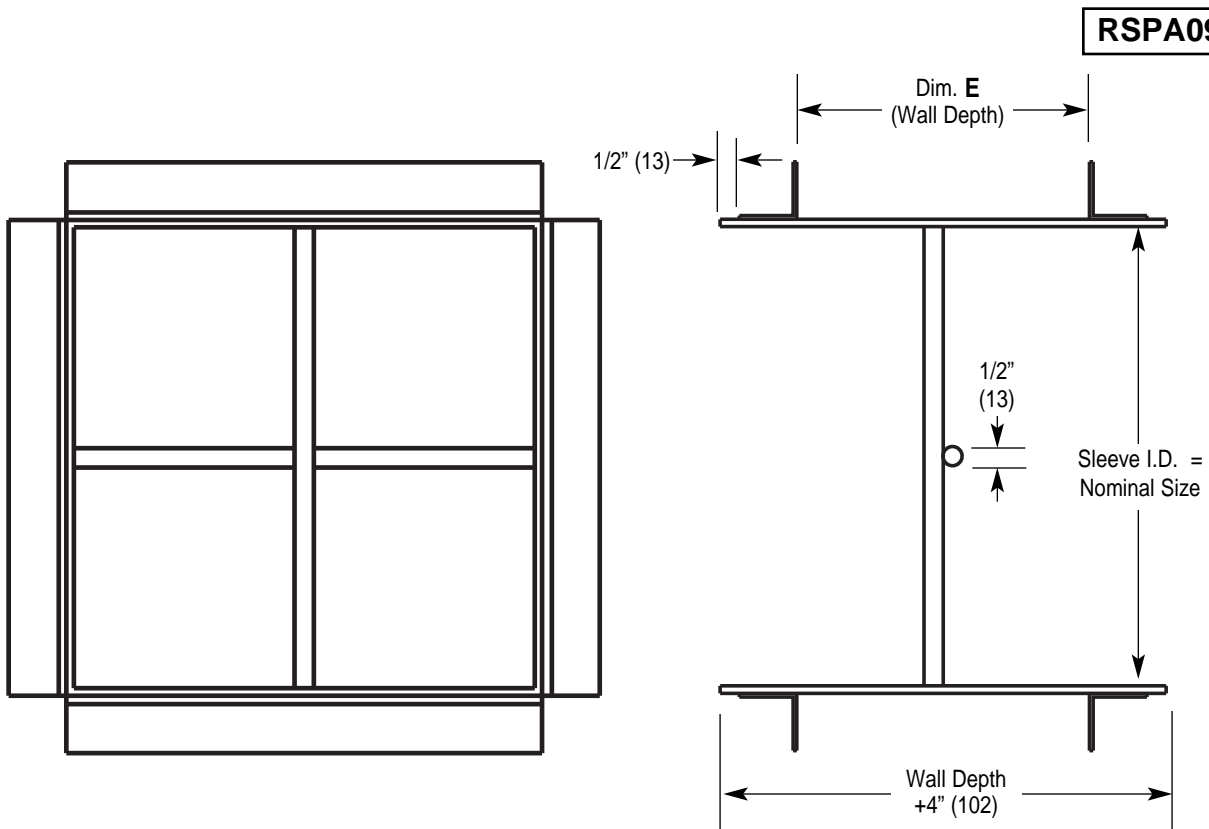


Imperial [IP] Dimensions
Metric (SI) in Parentheses

Air Specialties Express, 448 S. Main St., P. O. Box 930040, Verona, WI 53593-0040 Phone: (877)945-9175 Fax: (608)845-6504 www.airspecialties.com



Overall Notes:

1. Metric dimensions are given in millimeters.
2. Standard finish is electrocoat acrylic baked enamel.
3. Standard color is #11 Bright White.
4. Recommended Minimum Wall Opening size is Listed Size Plus 1/2" (13).
5. Size 12" x 12" (305 x 305) with an 8" (203) wall depth, is shown above.

Construction and Mounting Notes:

1. Bars are 1/2" (13) diameter hot rolled steel, placed on 6" (152) max. centers both vertically and horizontally. They are welded to the sleeve and to each other at all contact points.
2. Sleeve is constructed of 3/16" (5) hot rolled steel.
3. Wall Angles are 1-1/2" x 1-1/2" x 1/8" (38 x 38 x 3) hot rolled steel. Angles at one end of the sleeve are factory welded to the sleeve. Angles for the other end of the sleeve are shipped in 4 pieces for field welding.

