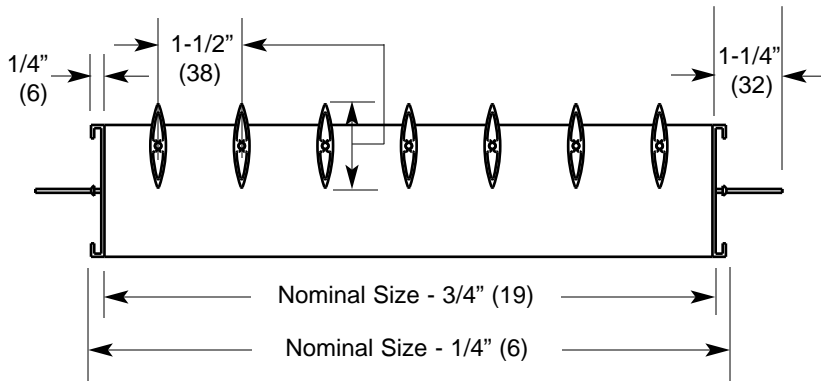
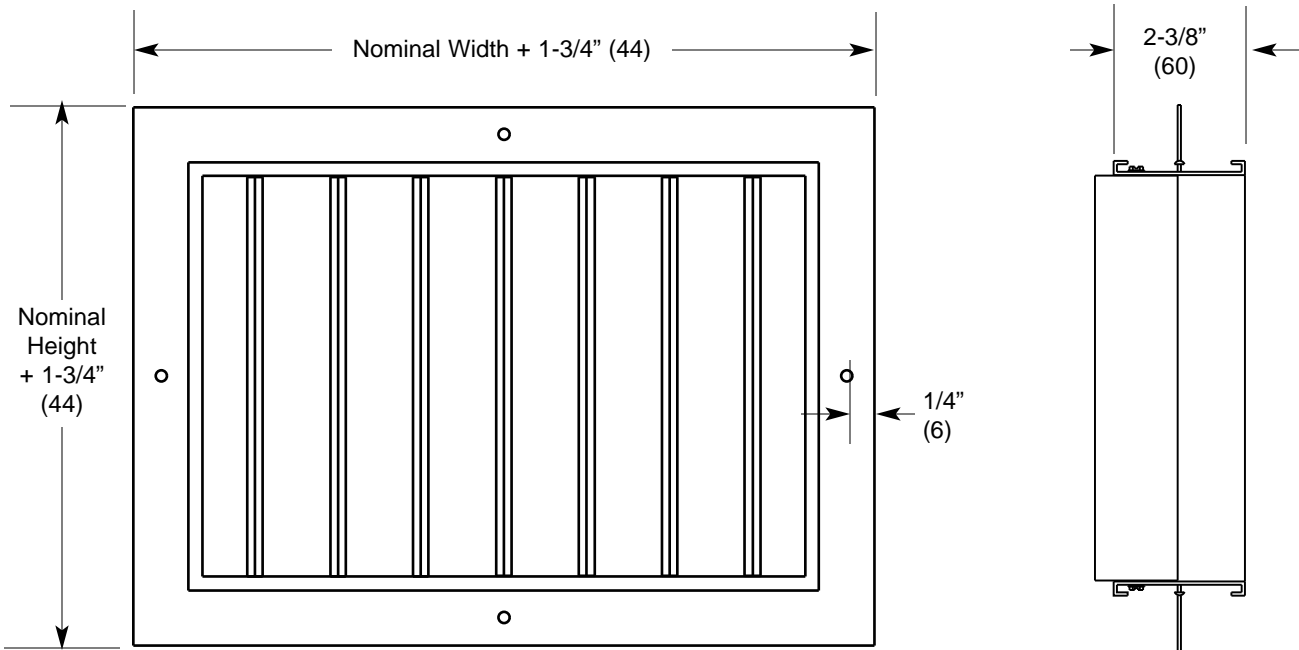


IP [English] Dimensions
SI (Metric) In Parentheses

Air Specialties Express, 448 S. Main St., P. O. Box 930040, Verona, WI 53593-0040 Phone: (877)945-9175 Fax: (608)845-6504 www.airspecialties.com



DIMENSIONS LISTED IN INCHES (Millimeters)			
Model	Blade Alignment	Panel Size	
		Minimum	Maximum
RBFAH	Horizontal	8 x 4 (203 x 102)	48 x 48 (1219 x 1219)
RBFVAV	Vertical	8 x 4 (203 x 102)	48 x 48 (1219 x 1219)

Notes:

1. Construction is all extruded aluminum.
2. Blades are individually adjustable.
3. Blades can be aligned vertically or horizontally. The unit shown here has the blades aligned vertically.
4. The standard finish is mill finish. Other finishes are available upon request.
5. The grille is reversible by removing it, flipping it over and reinstalling it.
6. Metric dimensions shown are in millimeters.