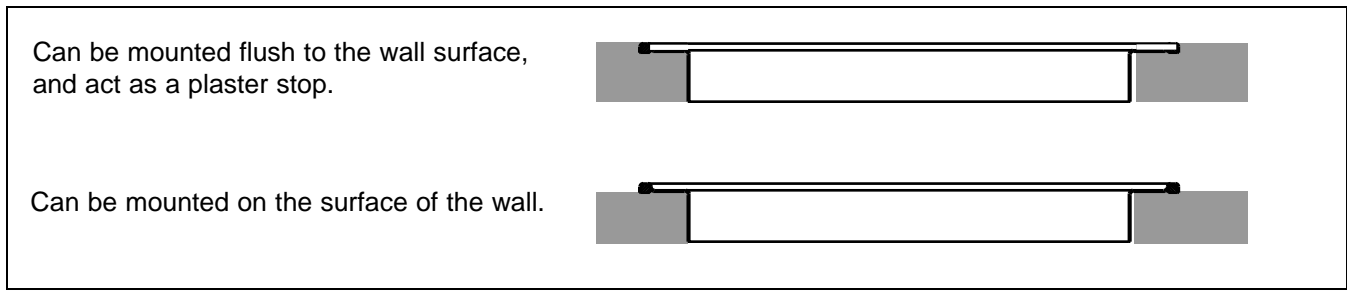
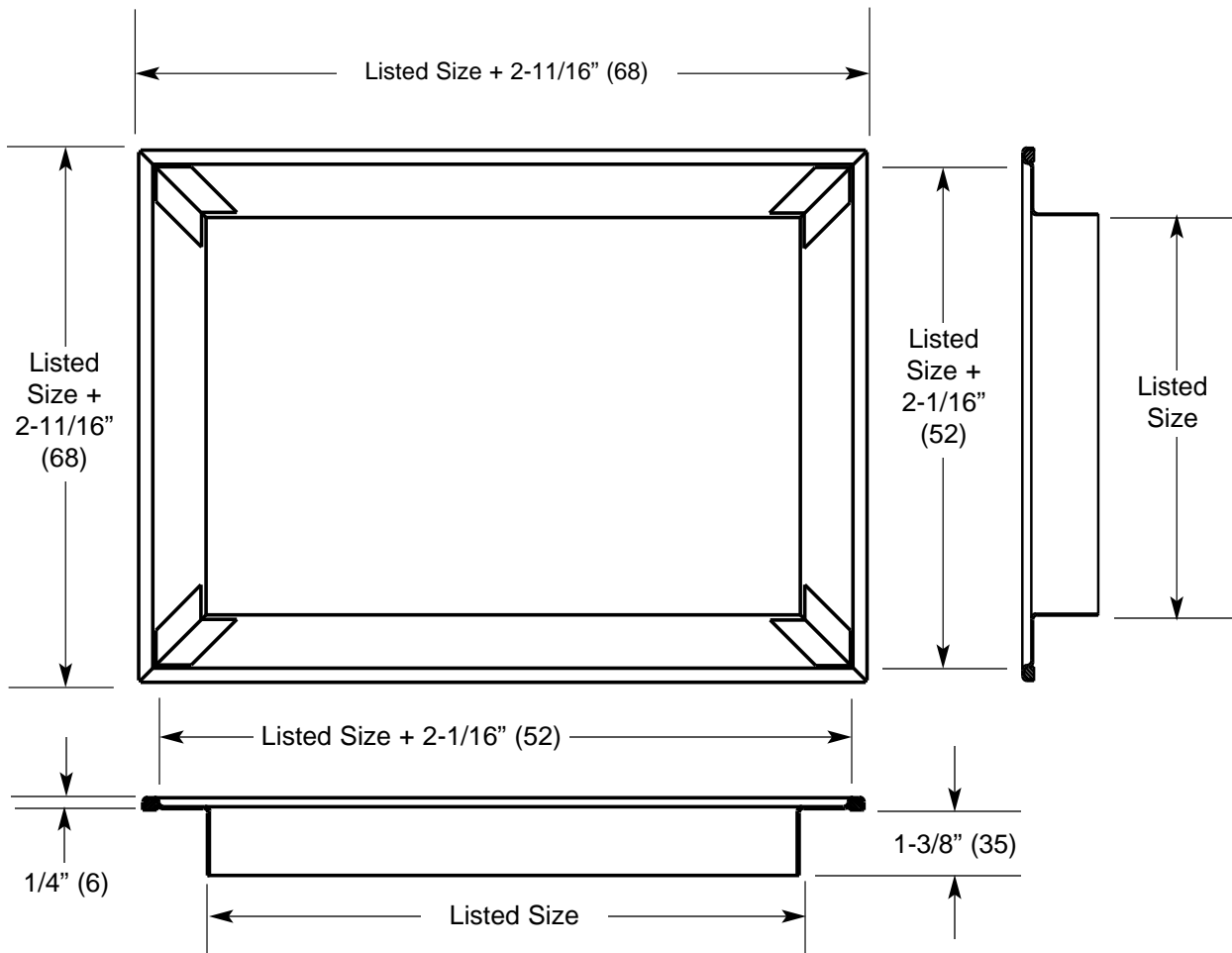


IP [English] Dimensions
SI (Metric) In Parentheses

Air Specialties Express, 448 S. Main St., P. O. Box 930040, Verona, WI 53593-0040 Phone: (877)945-9175 Fax: (608)845-6504 www.airspecialties.com



Notes:

1. Construction of Model RXSA is cold rolled steel.
2. Construction of Model RXLA is Type 304 stainless steel.
3. Polyurethane gasket is supplied as standard.
4. The standard finish for Model RXSA is electrocoat acrylic baked enamel.
5. The standard color for Model RXSA is #11 Bright White.
6. The standard finish and color for Model RXLA is #22 Satin Polish with one coat of clear lacquer.
7. Metric (SI) dimensions are in millimeters.
8. Minimum size is 6" x 4" (152 x 102).
9. Maximum standard size is 48" x 36" (1219 x 914).
10. Larger sizes are available upon request.
11. Sizes larger than 48" x 36" are shipped broken down for field assembly.
12. Recommended ceiling opening is nominal size plus 1/8" (3).