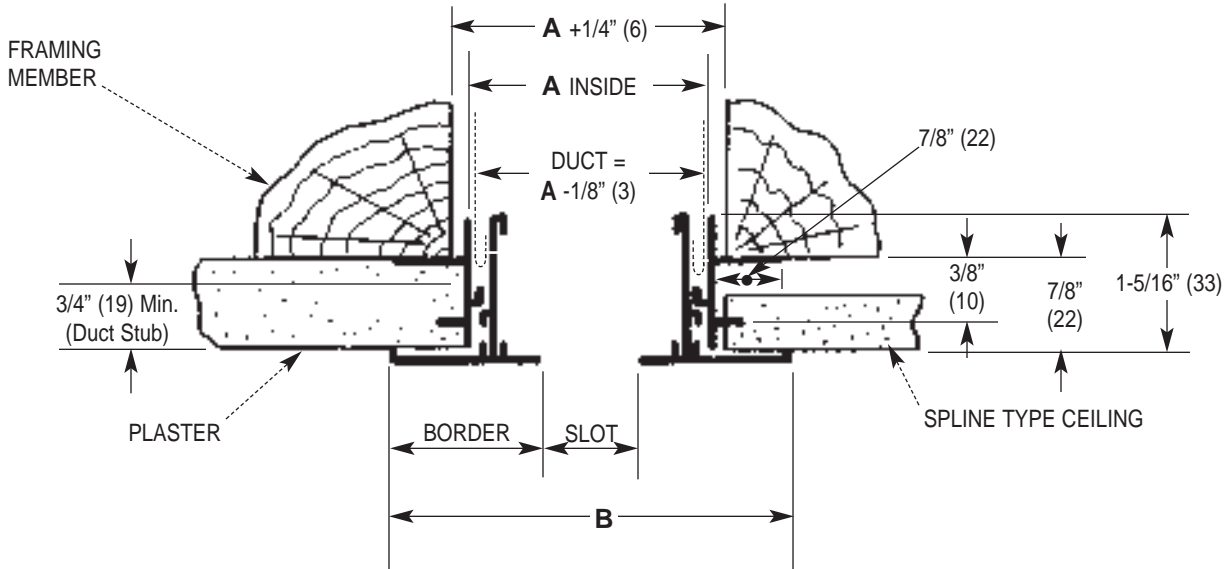


Imperial [IP] Dimensions  
Metric (SI) In Parentheses

Air Specialties Express, 448 S. Main St., P. O. Box 930040, Verona, WI 53593-0040 Phone: (877)945-9175 Fax: (608)845-6470 www.airspecialties.com



**DIMENSIONS LISTED IN INCHES (Millimeters)**

When used with ASX plenums, check with the factory for framing clearances

Model: CXHB ** <input type="checkbox"/> 7 <input type="checkbox"/> 8											
Border	Border	Slot Size	Dim.	No. of Slots							
				1	2	3	4	5	6	7	8
A	13/16 (21)	1/2 (13)	A	1-3/4 (45)	3-1/16 (78)	4-3/4 (111)	5-11/16 (145)	7 (178)	8-5/16 (211)	9-5/8 (245)	10-15/16 (278)
			B	2-1/8 (54)	3-7/16 (87)	4-3/4 (121)	6-1/16 (154)	7-3/8 (187)	8-11/16 (221)	10 (254)	11-5/16 (287)
C	13/16 (21)	3/4 (19)	A	2 (51)	3-9/16 (91)	5-1/8 (130)	6-11/16 (170)	8-1/4 (210)	9-13/16 (249)	11-3/8 (289)	12-15/16 (329)
			B	2-5/8 (60)	3-15/16 (100)	5-1/2 (140)	7-1/16 (179)	8-5/8 (219)	10-3/16 (259)	11-3/4 (298)	13-5/16 (338)
		1 (25)	A B	NOT AVAILABLE							
B	1-1/8" (29)	1/2 (13)	A	1-3/4 (45)	3-1/16 (78)	4-3/8 (111)	5-11/16 (145)	7 (178)	8-5/16 (211)	9-5/8 (245)	10-15/16 (278)
			B	2-3/4 (70)	4-1/16 (103)	5-3/8 (137)	6-11/16 (170)	8 (203)	9-5/16 (270)	10-5/8 (270)	11-15/16 (303)
D	1-1/8" (29)	3/4 (19)	A	2 (51)	3-9/16 (91)	5-1/8 (130)	6-11/16 (170)	8-1/4 (210)	9-13/16 (249)	11-5/8 (289)	12-15/16 (329)
			B	3 (76)	4-9/16 (116)	6-1/8 (156)	7-11/16 (195)	9-1/4 (235)	10-13/16 (175)	12-3/8 (314)	13-15/16 (354)
F	1-1/8" (29)	1 (25)	A	2-1/2 (64)	4-9/16 (116)	6-5/8 (168)	8-11/16 (221)	10-3/4 (273)	12-13/16 (325)	14-7/8 (378)	16-15/16 (430)
			B	3-1/4 (83)	5-5/16 (135)	7-3/8 (187)	9-7/16 (240)	11-1/2 (292)	13-9/16 (345)	15-5/8 (370)	17-11/16 (449)

RECOMMENDED LOCATION OF INSTALLATION SPACER—DISCARD BEFORE MOUNTING CHANNELAIRE

