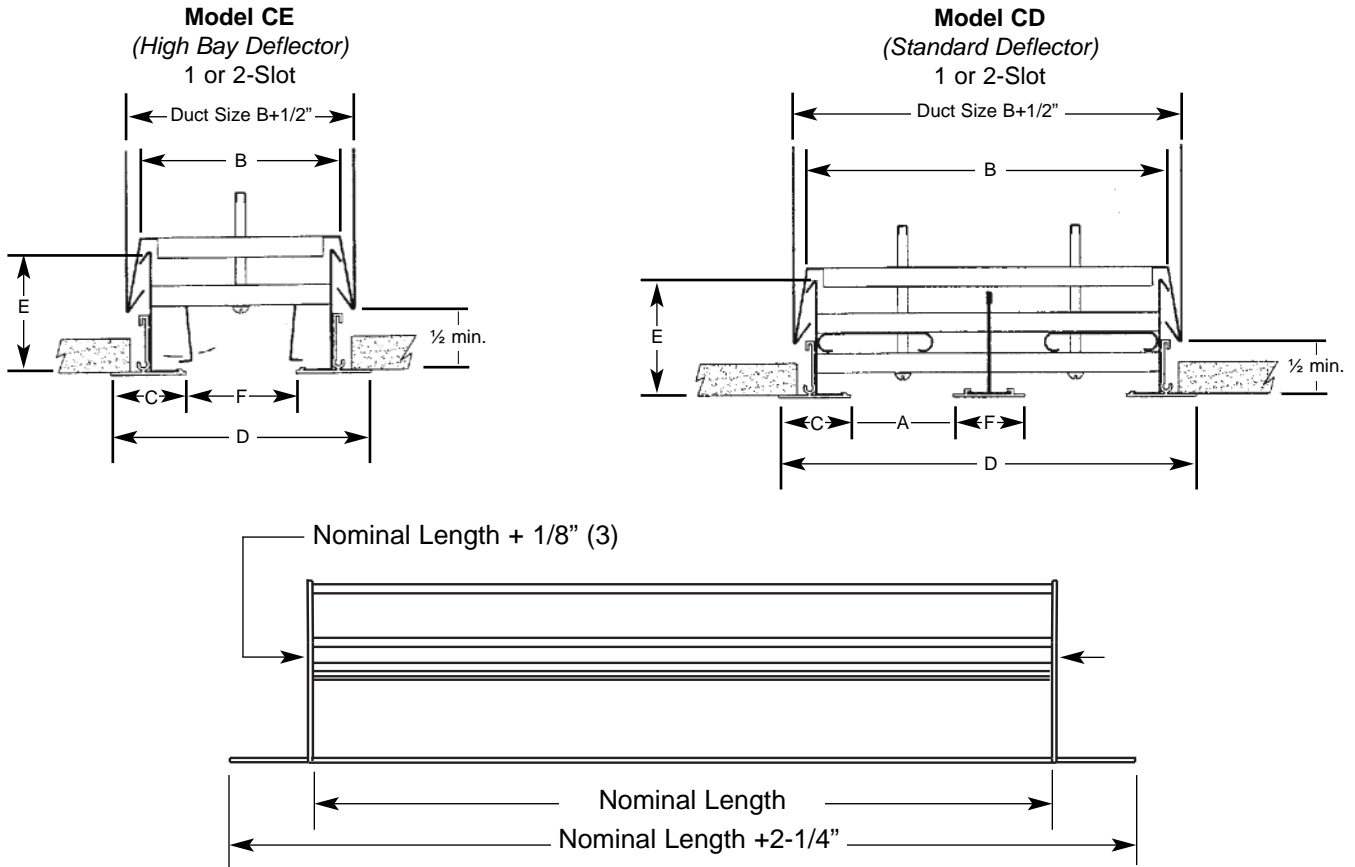


Imperial [IP] Dimensions
Metric (SI) in Parentheses

Air Specialties Express, 448 S. Main St., P. O. Box 930040, Verona, WI 53593-0040 Phone: (877)945-9175 Fax: (608)845-6504 www.airspecialties.com



Notes:

- Construction is extruded aluminum.
- Standard finish is #37 Bright White Face with Flat Black Interior.
- Units are straight as standard. They can be curved on request.
- Maximum single panel length is 96" (2438).
- Minimum length is 12" (305).
- Metric dimensions are in millimeters.
- This frame style permits the installation of the plenum and drywall before the diffuser is installed.
- Standard mounting is via hem duct brackets. Screws pass through the spacer brackets in the diffuser into the hem duct brackets.

Dim.	Description	1-Slot Slot Width (A)					2-Slot Slot Width (A)				
		1"	1-1/2"	2"	2-1/2"	3"	1"	1-1/2"	2"	2-1/2"	3"
B	Neck O. D.	2-5/8" (67)	3-1/8" (79)	3-5/8" (92)	5-1/2" (140)	6" (153)	5-1/8" (130)	6-1/8" (156)	7-1/8" (181)	10-5/8" (270)	11-5/8" (295)
C	Flange Width	1-3/8" (35)	1-3/8" (35)	1-3/8" (35)	2-1/16" (52)	2-1/16" (52)	1-3/8" (35)	1-3/8" (35)	1-3/8" (35)	2-1/16" (52)	2-1/16" (52)
D	Face O. D.	3-3/4" (95)	4-1/4" (108)	4-3/4" (121)	6-5/8" (168)	7-1/8" (181)	6-1/8" (165)	7-1/8" (181)	8-1/8" (206)	11-3/4" (298)	12-3/4" (324)
E	Unit Height	2-1/4" (57)	2-1/4" (57)	2-1/4" (57)	3" (76)	3" (76)	2-1/4" (57)	2-1/4" (57)	2-1/4" (57)	3" (76)	3" (76)
F	Center Flange	---	---	---	---	---	1-3/8" (35)	1-3/8" (35)	1-3/8" (35)	2-5/8" (67)	2-5/8" (67)