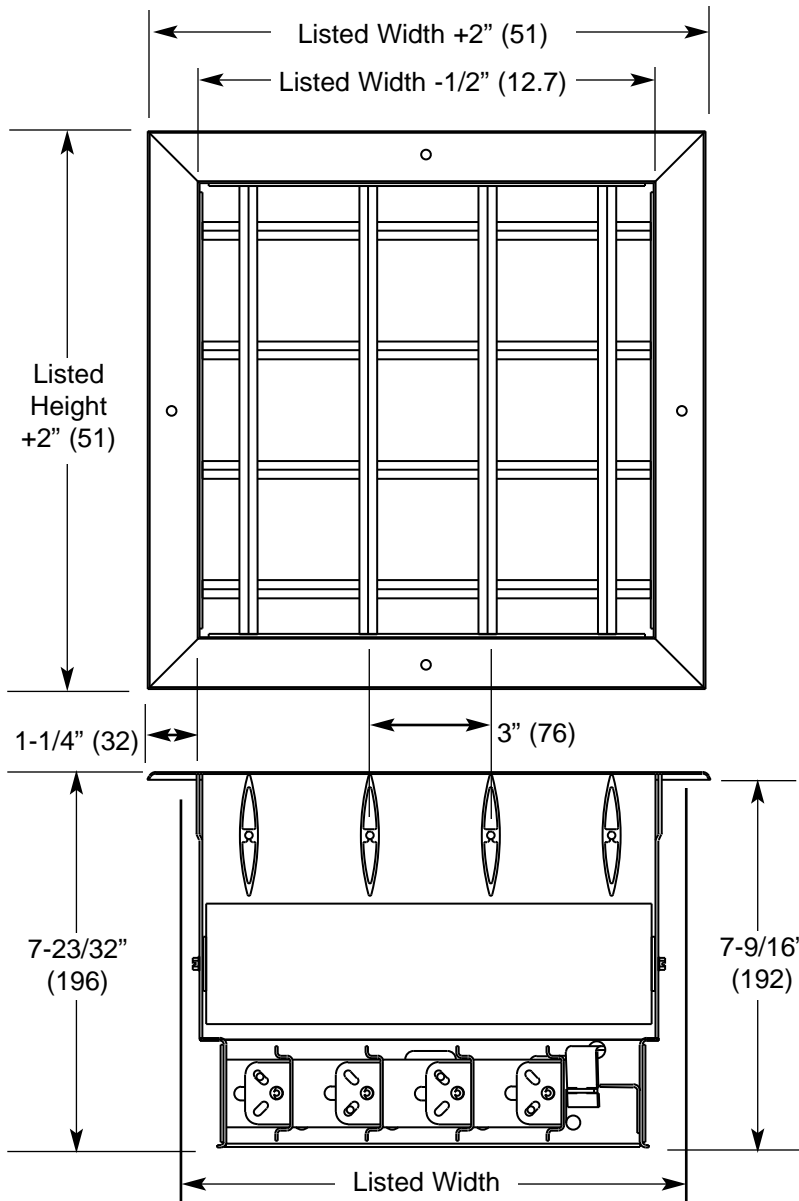
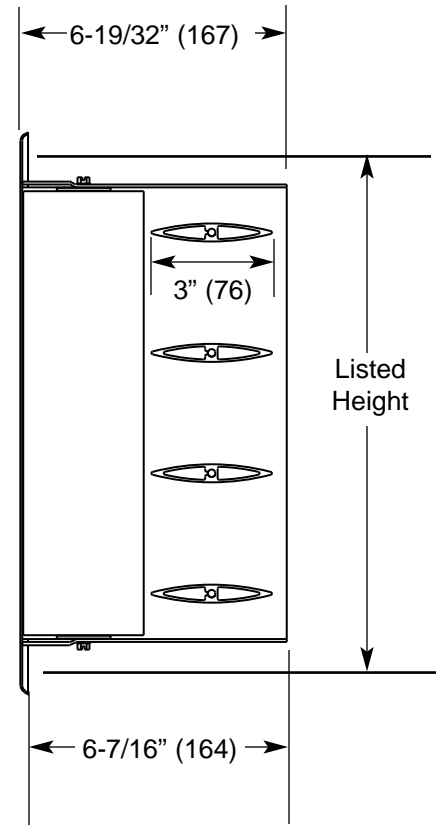


IP [English] Dimensions
SI (Metric) In Parentheses

Air Specialties Express, 448 S. Main St., P. O. Box 930040, Verona, WI 53593-0040 Phone: (877)945-9175 Fax: (608)845-6504 www.airspecialties.com



Model RELA (Register)



Model RCLA (Grille)

Notes:

1. Construction is of extruded aluminum airfoil blades and formed 20 gauge steel frame.
2. Blades are individually adjustable.
3. Damper is made of electrogalvanized steel, and is operated via flat-blade screwdriver from the face.
4. Standard finish is electrocoat acrylic baked enamel. Other finishes are available upon request.
5. Standard color is #11 Bright White. Other colors are available upon request.
6. Recommended opening is Listed Size.
7. Fastening screws are #10 size, 3/4" (19) long.
8. Gasket is furnished as standard feature.
9. These are max single panel sizes. Larger sizes can be furnished by joining single panels together.
10. Imperial dimensions are in Inches.
11. Metric dimensions are in millimeters.

Model	Blade Alignment	Damper?	Available Nominal Sizes	
			Min. (WxH)	(Note 9) Max. (WxH)
RCLAH	Horizontal	No	6x4 (152x102)	48x48 (1219x1219)
RCLAV	Vertical	No	6x4 (152x102)	48x48 (1219x1219)
RELAH	Horizontal	Yes	6x4 (152x102)	48x48 (1219x1219)
RELAV	Vertical	Yes	6x4 (152x102)	48x48 (1219x1219)