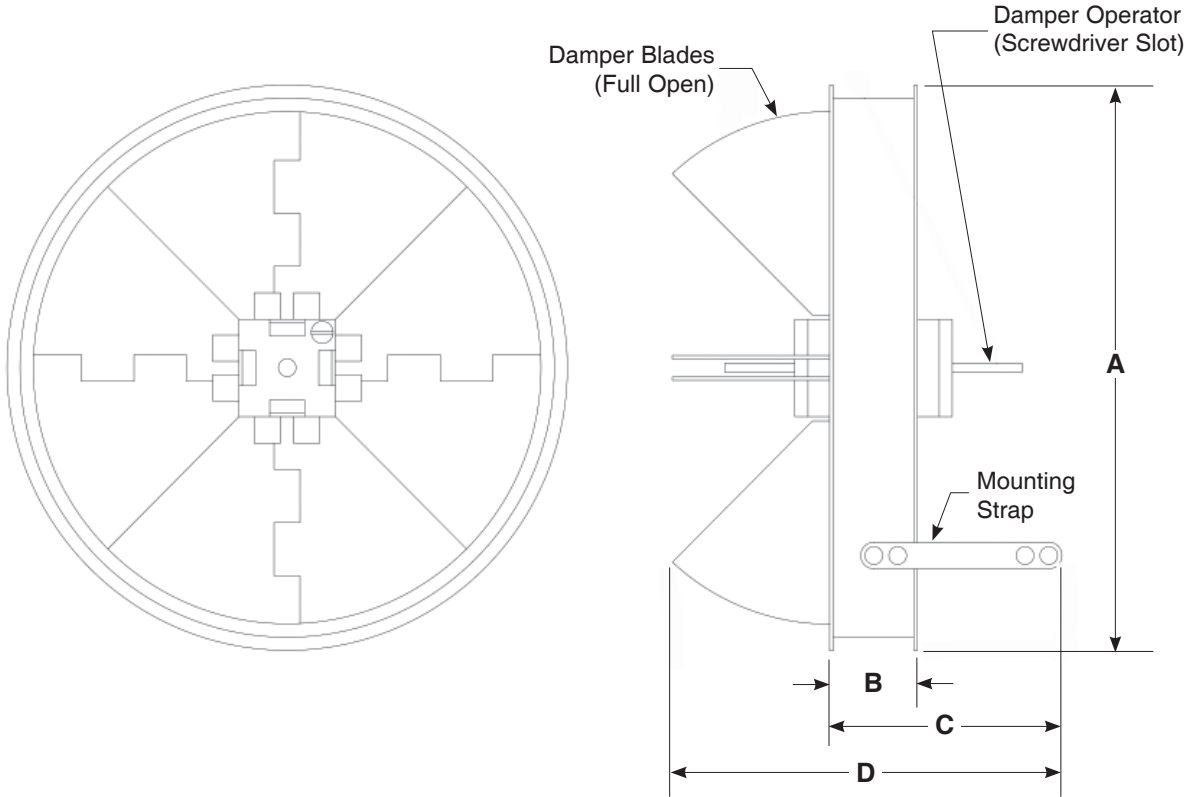


Imperial [IP] Dimensions
Metric (SI) in Parentheses

CARNES COMPANY 448 S. Main St., P. O. Box 930040, Verona, WI 53593-0040 Phone: (608)845-6411 Fax: (608)845-6504 www.carnes.com



KXRC Dimensions (Inches)				
Size	A	B	C	D
6	5-7/8	1-1/4	3-1/2	4-3/4
8	7-7/8	1-1/4	3-1/2	5-1/4
10	9-7/8	1-1/4	3-1/2	6
12	11-7/8	2-1/8	3-7/8	6-5/8
14	13-7/8	2-1/8	3-7/8	7-1/8
16	15-7/8	2-1/8	3-7/8	8-7/8
18	17-7/8	2-1/8	3-7/8	9-3/8
20	19-7/8	2-1/8	3-7/8	9-7/8

Notes:

1. Shipped separately.
2. Aluminum construction available.