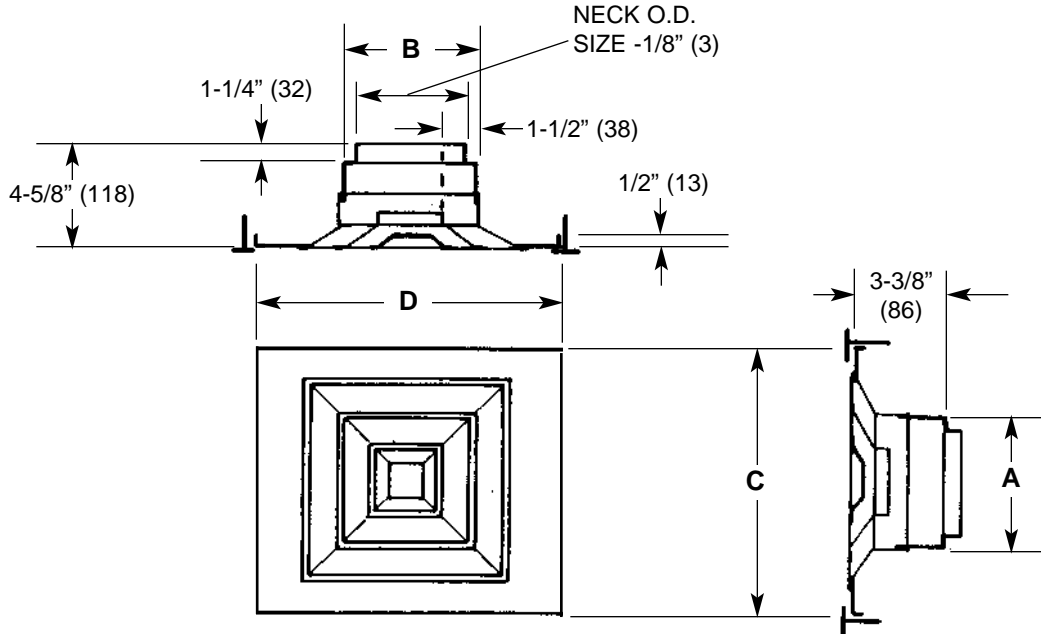


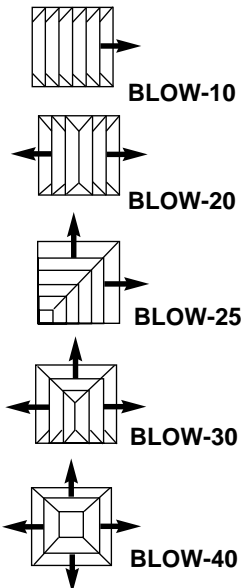
Square Diffuser With Round Neck Option Extruded Aluminum T-Bar Lay In

Imperial [IP] Dimensions
Metric (SI) in Parentheses

CARNES COMPANY 448 S. Main St., P. O. Box 930040, Verona, WI 53593-0040 Phone: (608)845-6411 Fax: (608)845-6504 www.carnes.com



SQUARE



Neck Size	Sizes A x B	Metric Sizes A x B
4	6 x 6	152 x 152
5	6 x 6	152 x 152
6	6 x 6	152 x 152
6	9 x 9	229 x 229
8	9 x 9	229 x 229
9	9 x 9	229 x 229
10	12 x 12	305 x 305
12	12 x 12	305 x 305
12	15 x 15	381 x 381
14	15 x 15	381 x 381
15	15 x 15	381 x 381
16	18 x 18	457 x 457
18	18 x 18	457 x 457

Notes:

1. Standard SETM which has an outside dimension of 23-3/4" x 23-3/4" (603 x 603).
2. Standard Finish is Bright White Powder Coat.

For other sizes and panel sizes contact Carnes Company Sales Department.