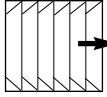


Square Diffusers with Round Neck Option Adjustable — for Donn® Finline® Ceilings

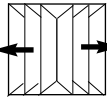
IP (English) Units
SI (Metric) Units on Reverse

CARNES COMPANY 448 S. Main St., P. O. Box 930040, Verona, WI 53593-0040 Phone: (608)845-6411 Fax: (608)845-6504 www.carnes.com

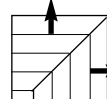
SQUARE



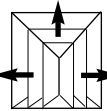
BLOW-10



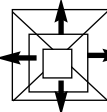
BLOW-20



BLOW-25



BLOW-30

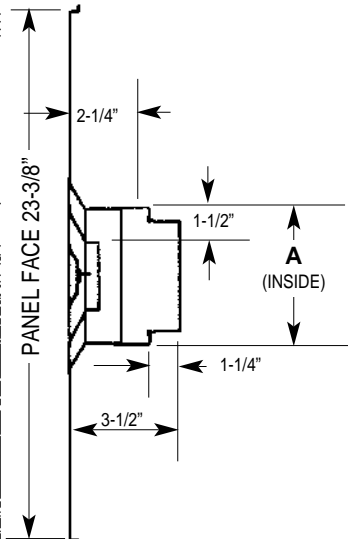
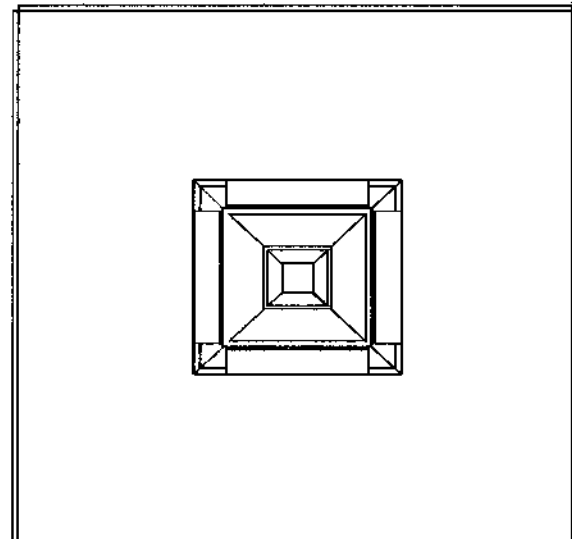
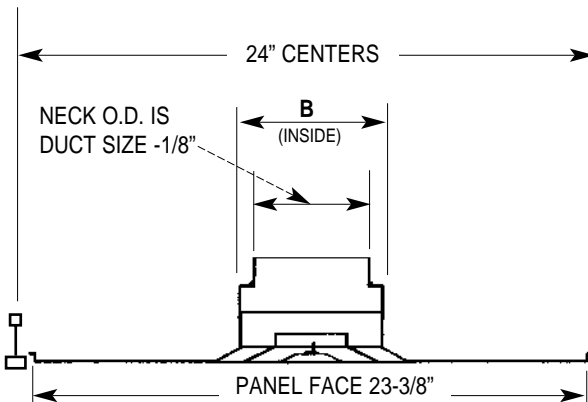
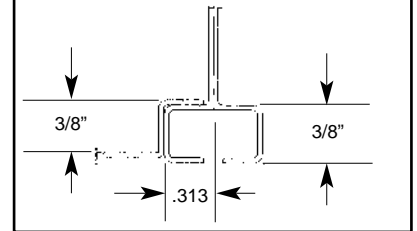


BLOW-40

DIMENSIONS LISTED IN INCHES

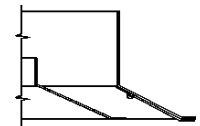
Round Neck O. D.	A x B
4	6 x 6
5	6 x 6
6	6 x 6
6	9 x 9
8	9 x 9
9	9 x 9
10	12 x 12
12	12 x 12
12	15 x 15
14	15 x 15
15	15 x 15
16	18 x 18
18	18 x 18
20	21 x 21
21	21 x 21

PANEL MOUNTING DETAIL

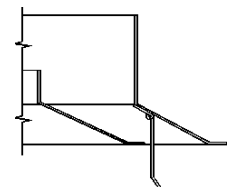


ADJUSTMENT

HORIZONTAL AIR FLOW



VERTICAL AIR FLOW



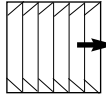
"DONN" and "FINELINE" are registered trademarks of USG Interiors, Inc.

Square Diffusers with Round Neck Option Adjustable — for Donn® Finline® Ceilings

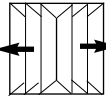
SI [Metric] Units
IP (English) Units on Reverse

CARNES COMPANY 448 S. Main St., P. O. Box 930040, Verona, WI 53593-0040 Phone: (608)845-6411 Fax: (608)845-6504 www.carnes.com

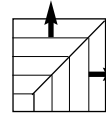
SQUARE



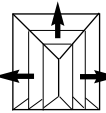
BLOW-10



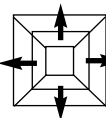
BLOW-20



BLOW-25

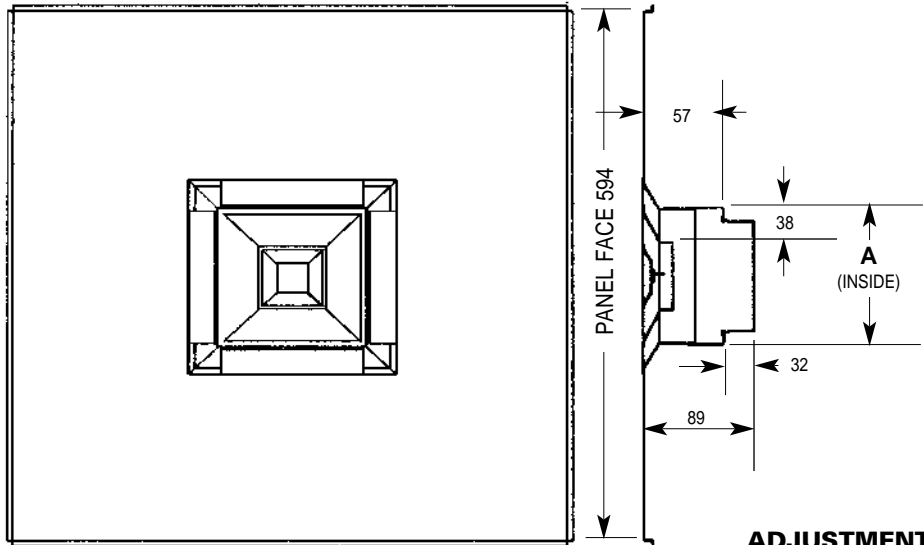
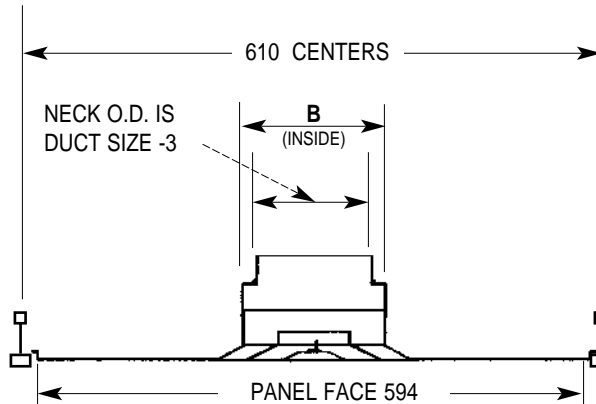
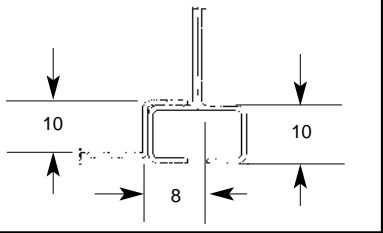


BLOW-30



BLOW-40

PANEL MOUNTING DETAIL

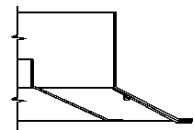


DIMENSIONS LISTED IN MILLIMETERS

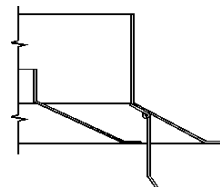
Round Neck O. D.	A x B
102	152 x 152
127	152 x 152
152	152 x 152
152	229 x 229
203	229 x 229
229	229 x 229
254	305 x 305
305	305 x 305
305	381 x 381
356	381 x 381
381	381 x 381
406	457 x 457
457	457 x 457
508	533 x 533
533	533 x 533

ADJUSTMENT

HORIZONTAL AIR FLOW



VERTICAL AIR FLOW



"DONN" and "FINELINE" are registered trademarks of USG Interiors, Inc.