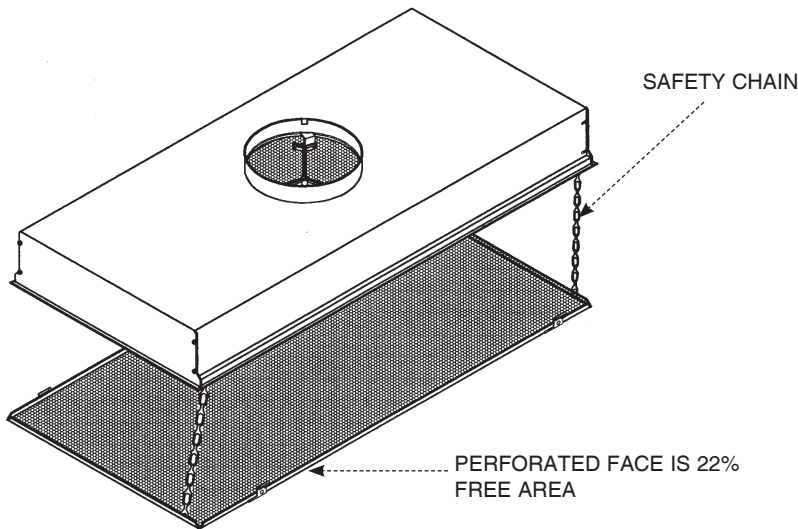
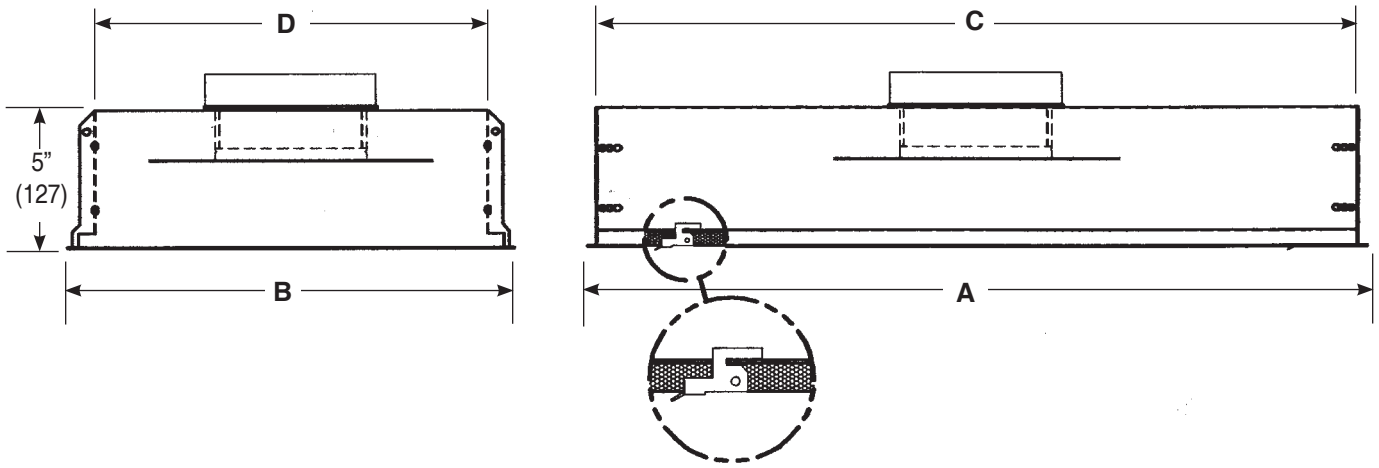


IP [English] Dimensions
SI (Metric) In Parentheses

CARNES COMPANY 448 S. Main St., P. O. Box 930040, Verona, WI 53593-0040 Phone: (608)845-6411 Fax: (608)845-6504 www.carnes.com



NOTES:

1. Stainless Steel is Type 304.
2. Inlet is Size minus 1/8" (3) to fit into duct.
3. Standard Finish on Steel and Aluminum models is #11 Bright White electrocoat baked enamel.
4. Standard Finish on Stainless Steel model is #25 Polished Satin.
5. Other finishes are available on request.
6. Perforated material is 3/32" (2) round holes on 3/16" (5) staggered centers.
7. This is designed to fit standard 15/16" (24) flat-faced T-bar.

DIMENSIONS LISTED IN INCHES (MILLIMETERS)				
Model & Material	Dimension A	Dimension B	Dimension C	Dimension D
DLACT Aluminum	Listed Size -1/4" (Listed Size -6)	Listed Size -1/4" (Listed Size -6)	Listed Size -15/16" (Listed Size -24)	Listed Size -1" (Listed Size -25)
DLSCT Steel	Listed Size -1/4" (Listed Size -6)	Listed Size -1/4" (Listed Size -6)	Listed Size -15/16" (Listed Size -24)	Listed Size -1" (Listed Size -25)
DLTCT Stainless Steel	Listed Size -1/4" (Listed Size -6)	Listed Size -1/4" (Listed Size -6)	Listed Size -15/16" (Listed Size -24)	Listed Size -1" (Listed Size -25)