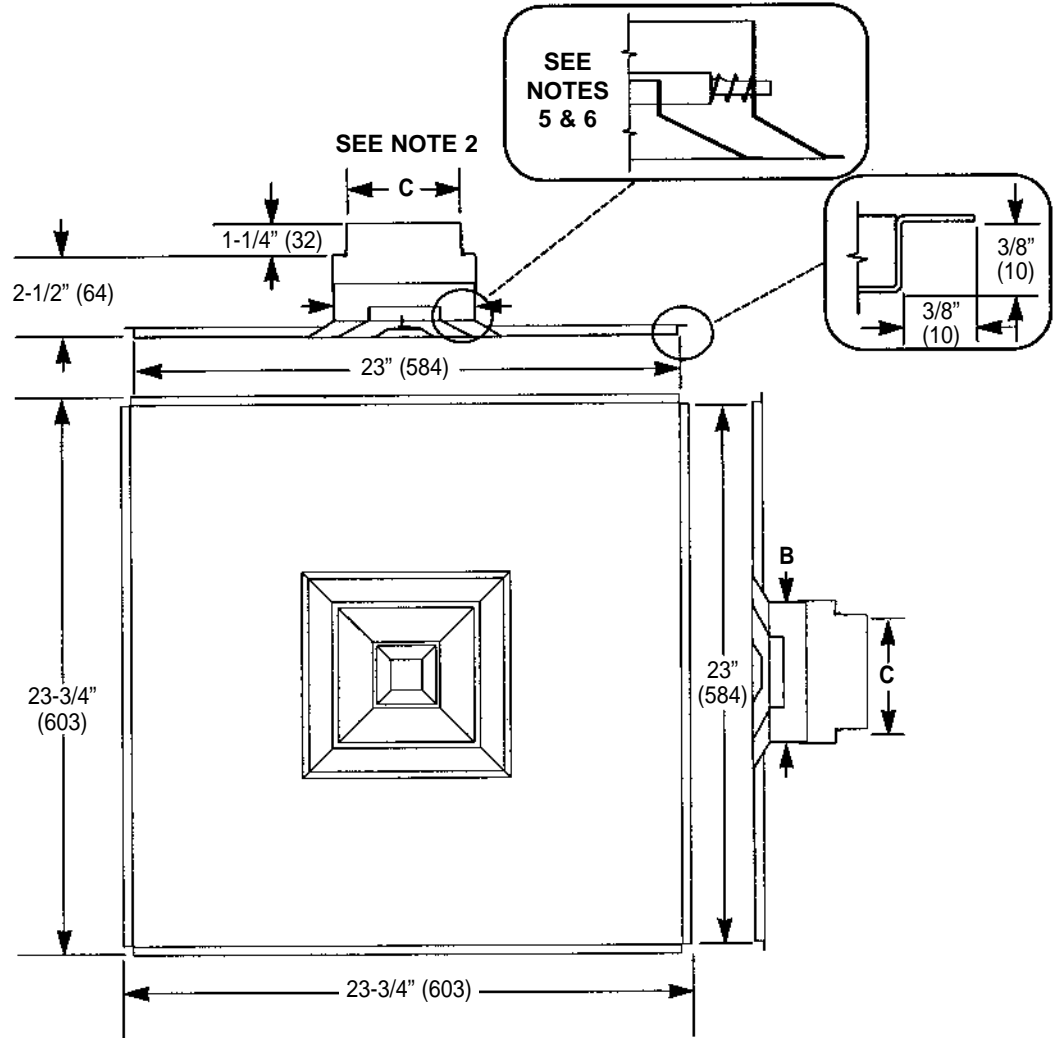


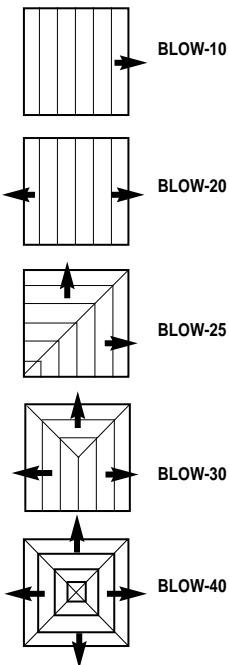
Model SKGA Square Diffuser with Round Neck Option for 15/16" Tegular Grid Ceilings

Imperial [IP] Dimensions
Metric (SI) in Parentheses

CARNES COMPANY 448 S. Main St., P. O. Box 930040, Verona, WI 53593-0040 Phone: (608)845-6411 Fax: (608)845-6504 www.carnes.com



Square Blow Patterns



Notes:

1. The standard finish is #01 White Electrocoat baked enamel.
2. The inlet is nominal size minus 1/8" (3) to fit inside the duct.
3. This tegular panel is sized for 15/16" (24) T-bar.
4. Panels to fit 9/16" (14) T-bar are available.
5. Core is held in by 4-pin, spring loaded attachment.
6. Cores are removable and interchangeable with other blow patterns of the same size and shape.

DIMENSIONS LISTED IN INCHES (Centimeters)

Square Neck Size A x B	Nominal Inlet Size C
6 x 6 (152 x 152)	5 (127) 6 (152)
9 x 9 (229 x 229)	6 (152) 8 (203) 9 (229)
12 x 12 (305 x 305)	10 (254) 12 (305)
15 x 15 (381 x 381)	14 (356) 15 (381)
18 x 18 (457 x 457)	16 (406) 18 (457)